

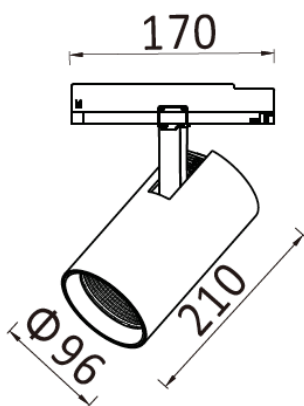


CARL ST-C462 (High Efficacy)

The Carl series offers a sleek range of LED track lights ideal for retail, hospitality and general display applications. Carl offers a versatile range of light head designs, illumination levels and beam angles. With our market-leading colour rendering and easy adjustability, we confidently recommend Carl as an ideal luminaire to bring out the best in your design.

All fixtures fit a standard three-circuit track and adjust through 90° vertical plane and 355° horizontal plane. Options include CCT colour, onboard or on-track driver, glass, elliptical lens and honeycomb diffusers, and barn door cut-off control.

Available in surface mount and suspended format.



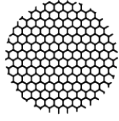
Model	System Power (W)	Source Lumen (Lm) (CRI>90, 3000K)	System Lumen (Lm) / Beam Angle (CRI>90, 3000K)			
			Narrow (15°/15°/16°)	Medium (20°/19°/22°)	Medium (41°/41°/42°)	Wide (60°/56°/59°)
ST-C462-J	14	2016	1747	1702	1715	1699
ST-C462-K	23	3228	3085	3087	3040	2937
ST-C462-L	26	3849	3317	3224	3260	3240

CRI	CCT	Material	LED Lifetime	Colour	Voltage	Dimming
>90	3000K/4000K	Aluminium	L80(12K) > 66,000 hrs L90 (12K) > 41,000 hrs	BK / WH	220-240V	Available on request



Accessories

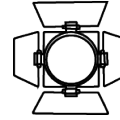
(available on request)



Honeycomb Lens



Elliptical Lens



Barn Door Louvre

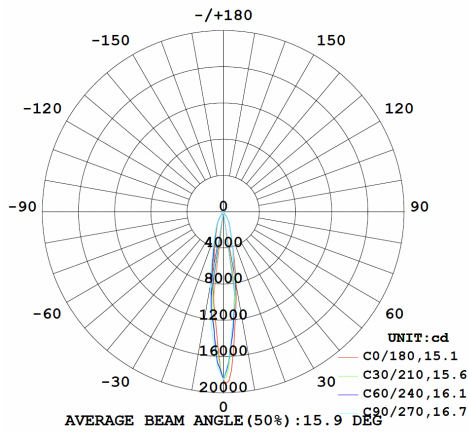


Glass Lens

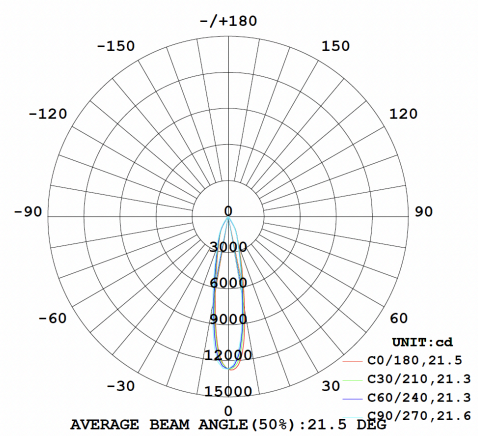
Photometrics

(standard beam angles, alternative available on request)

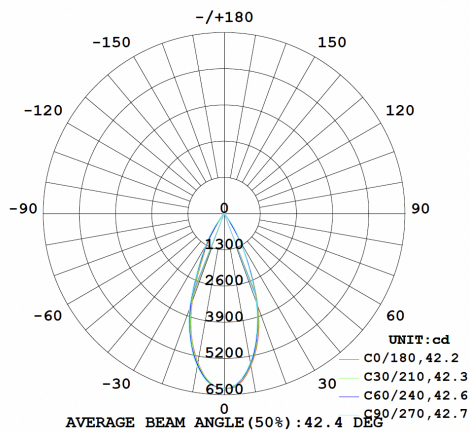
Narrow (16°) at 35W



Narrow (22°) at 35W



Medium (42°) at 35W



Wide (59°) at 35W

