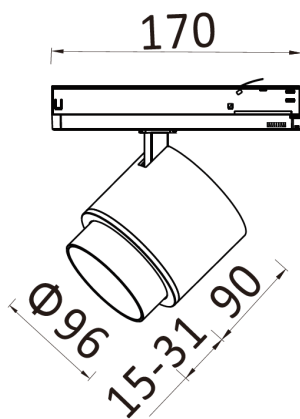




JUNE II ST-A846 (High Efficacy)

The June II series offers an adjustable lens adapting the beam angle from narrow to wide with one simple twist of the lens. The June II has been redesigned to achieve a more compact design, a smoother transition when adjusting the distance between the lens and the source, and a new lens ensuring uniformity and no excess secondary spotting. Offering such flexibility, this spotlight series with in-track driver is suitable for all applications.

All our fixtures fit standard three circuit track and adjust easily through 90° in the vertical plane and 355° in the horizontal plane. Options include the choice of CCT colour, body colour and lens.



Model	System Power (W)	Source Lumen (Lm) (CRI>90, 3000K)	System Lumen (Lm) / Beam Angle (CRI>90, 3000K)	
			Narrow~Wide (17°~64°/19°~63°/20°~63°)	
ST-A846-J	14	2016	1460 ~ 1796	
ST-A846-K	24	3228	2304 ~ 2820	
ST-A846-L	27	3848	2717 ~ 3409	

CRI	CCT	Material	LED Lifetime	Colour	Voltage	Dimming
>90	3000K/4000K	Aluminium	L80(12K) > 66,000 hrs L90 (12K) > 41,000 hrs	BK / WH	220-240V	Available on request



Accessories

(available on request)



Honeycomb Louvre

Photometrics

(standard beam angles, alternative available on request)

