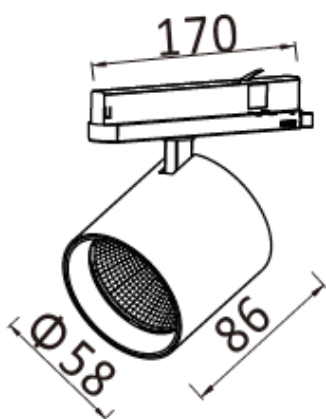




GALLERY ST-A538 (High Efficacy)

The streamlined and compact design of the Gallery series allows for a built-in driver. This compact luminaire is powerful enough for any commercial or retail application offering a versatile range of output levels and beam angle options, and our market-leading colour rendering. This spotlight series offers a compact design with the highest performance standards.

All our fixtures fit standard three-circuit track and adjust easily through 90° in the vertical plane and 355° in the horizontal plane. Options include the choice of CCT colour, body colour, honeycomb louvres, glass lens and elliptical lens.



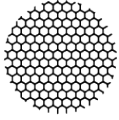
Model	System Power (W)	Source Lumen (Lm) (CRI>90, 3000K)	System Lumen (Lm) / Beam Angle (CRI>90, 3000K)		
			Narrow (10°/15°)	Medium (21°/28°)	Wide (41°)
ST-A538-A	6	801	608	601	603
ST-A538-A	9	1314	891	907	938

CRI	CCT	Material	LED Lifetime	Colour	Voltage	Dimming
>90	3000K/4000K	Aluminium	L80(12K) > 66,000 hrs L90 (12K) > 41,000 hrs	BK / WH	220-240V	Available on request

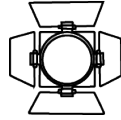


Accessories

(available on request)



Honeycomb Louvre



Elliptical Lens



Glass Lens

Photometrics

(standard beam angles, alternative available on request)

