



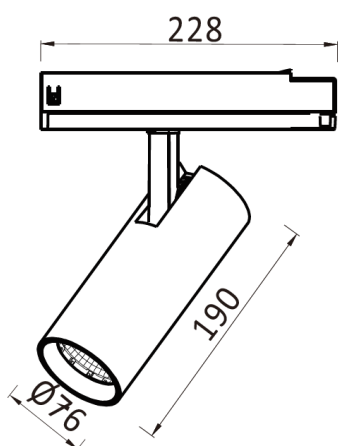
CARL ST-A249 (High Efficacy)



The Carl series offers a sleek range of LED track lights ideal for retail, hospitality and general display applications. Carl offers a versatile range of light head designs, illumination levels and beam angles. With our market leading colour rendering and easy adjustability, the Carl is an ideal luminaire to bring out the best in your design.

All fixtures fit a standard three circuit track and adjust through 90° vertical plane and 355° horizontal plane. Options include CCT colour, onboard or in-track driver, glass and honeycomb diffusers, and barn door cut off control.

Also available in surface mount and pendant format.



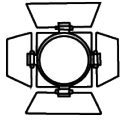
Model	System Power (W)	Source Lumen (Lm) (CRI>90, 3000K)	System Lumen (Lm) / Beam Angle (CRI>90, 3000K)		
			Narrow (19°/19°/21°)	Medium (27°/27°/30°)	Wide (46°/47°/48°)
ST-A249-J	14	2016	1496	1490	1519
ST-A249-K	23	3228	2356	2312	2392
ST-A249-L	26	3849	2827	2802	2873

CRI	CCT	Material	LED Lifetime	Colour	Voltage	Dimming
>90	3000K/4000K	Aluminium	L80(12K) > 66,000 hrs L90 (12K) > 41,000 hrs	BK / WH	220-240V	Available on request

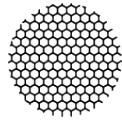


Accessories

(available on request)



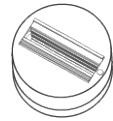
Barn door Louvre



Honeycomb Lens



Glass Lens

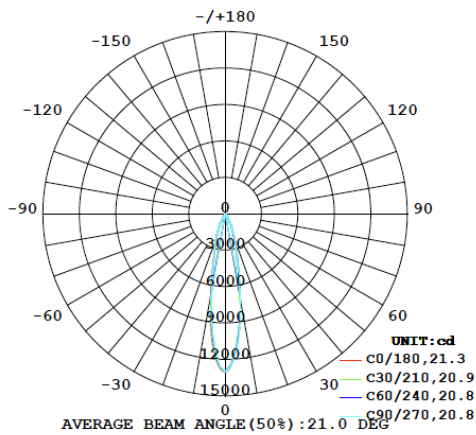


Surface Mounted Canopy

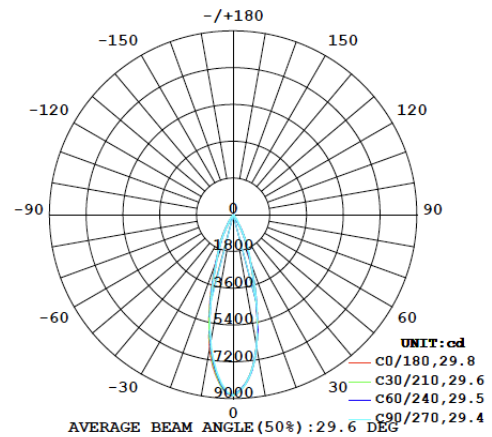
Photometrics

(standard beam angles, alternative available on request)

Narrow (21°) at 26W



Medium (30°) at 26W



Wide (48°) at 26W

