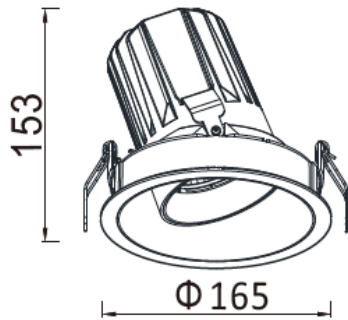




ELVIS SR-C105 (High Efficacy)

Effortlessly accentuate specific areas or features with the Elvis spotlight. Its adjustable design can accommodate the most varied applications and boasts an anti-glare device as well as an efficient heatsink ensuring the lifetime of the source. The Elvis series offers fixed, adjustable, IP, trimmed and trimless designs making this series a versatile solution for your lighting needs. This series is designed and manufactured to deliver optimum performance in any environment.



Model	System Power (W)	Source Lumen (Lm) (CRI>90, 3000K)	System Lumen (Lm) / Beam Angle (CRI>90, 3000K)			
			Narrow (15°/16°/16°/16°/17°)	Medium (19°/19°/21°/21°/21°)	Medium (41°/41°/43°/43°/43°)	Wide (57°/57°/56°/56°/56°)
SR-C105-J	14	2016	1789	1742	1733	1742
SR-C105-K	24	3228	2830	2790	2760	2759
SR-C105-L	27	3849	3335	3304	3268	3305
SR-C105-M	35	4672	4225	4056	4077	4102
SR-C105-N	41	5241	4655	4556	4569	4564

CRI	CCT	Material	LED Lifetime	Colour	Voltage	Dimming
>90	3000K/4000K	Aluminium	L80(12K) > 66,000 hrs L90 (12K) > 41,000 hrs	BK / WH	220-240V	Available on request



Accessories

(available on request)



Honeycomb Louvre



Elliptical Lens



Glass Lens

Photometrics

(standard beam angles, alternative available on request)

