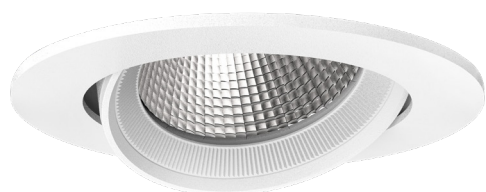


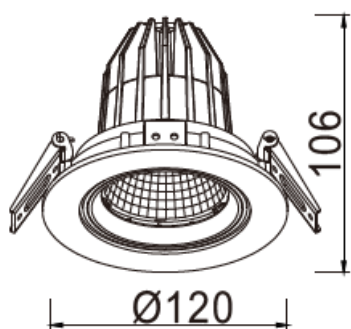


## LEGEND SR-C057 (High Efficacy)



The Legend series is a versatile downlight for all commercial applications. Offering a 355° rotation and tilted up to 30° for both accent and general lighting, the Legend provides exact and accurate aiming of the product on space.

Energy efficiency is a key component of our product focus and the Legend series is at the top of the performance scale, ensuring significant energy savings over many alternative solutions.



CE UKCA IP20 CRI >90 355°  
 30° High Efficacy 5 YEAR WARRANTY  
 Ø114

EPD®  
THE INTERNATIONAL EPD® SYSTEM

Model	System Power (W)	Source Lumen (Lm) (CRI>90, 3000K)	System Lumen (Lm) / Beam Angle (CRI>90, 3000K)			
			Narrow (15°/15°/17°)	Medium (20°/21°/22°)	Medium (36°/36°/38°)	Wide (61°/62°/60°)
SR-C057-J	14	2016	1824	1802	1785	1725
SR-C057-K	23	3228	2833	2758	2799	2731
SR-C057-L	26	3848	3411	3341	3331	3225

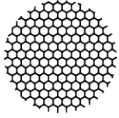
CRI	CCT	Material	LED Lifetime	Colour	Voltage	Dimming
>90	3000K/4000K	Aluminium	L80 (12K) > 66,000 hrs L90 (12K) > 41,000 hrs	BK / WH	220-240V	Available on request

\* Please note the model code has been updated since the release of the EPD.



## Accessories

(available on request)



Honeycomb Louvre



Elliptical Lens



Cross Accessory



Glass Lens

## Photometrics

(standard beam angles, alternative available on request)

