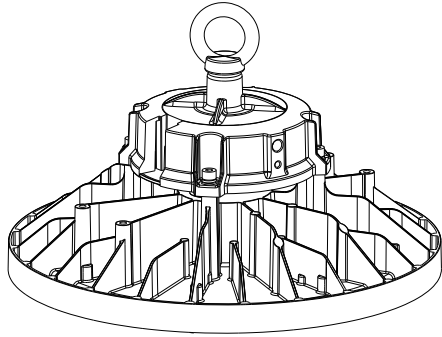
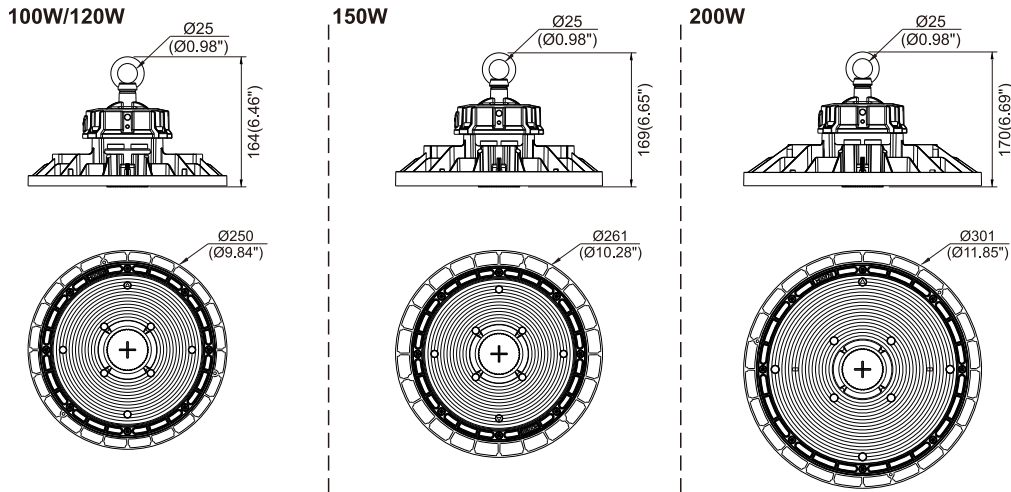


LED High Bay Light

Installation Instructions



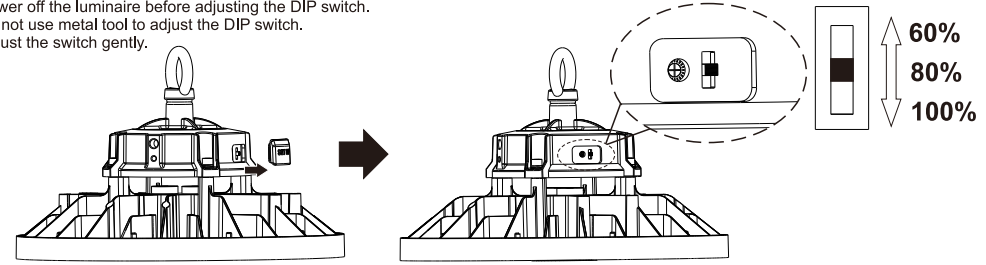
Physical Dimensions (Unit: mm/inch)



Product Specifications	100W/120W	150W	200W
Input Voltage	100-277VAC / 120-277VAC / 100-240VAC / 220-240VAC (Subject to the input voltage on nameplate)		
Power Frequency	50 / 60 Hz		
Outlook Dimensions	Ø250x164mm(Ø9.84"x6.46")	Ø261x169mm(Ø10.28"x6.65")	Ø301x170mm(Ø11.85"x6.69")
Luminaire Net Weight	1.6±0.3kg(3.53±0.66Lbs)	1.9±0.3kg(4.19±0.66Lbs)	2.3±0.3kg(5.07±0.66Lbs)
Working Temperature	-30°C to +50°C(-22°F to +122°F)		
Storing Temperature	-40°C to +70°C(-40°F to +158°F)		

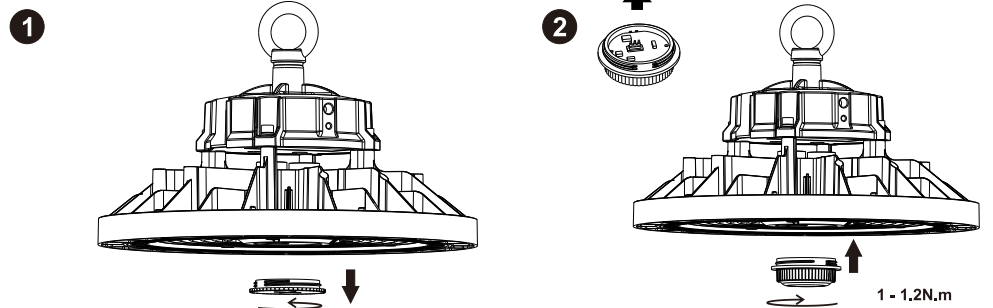
Power Selectable

Caution:
Please power off the luminaire before adjusting the DIP switch.
Please do not use metal tool to adjust the DIP switch.
Please adjust the switch gently.

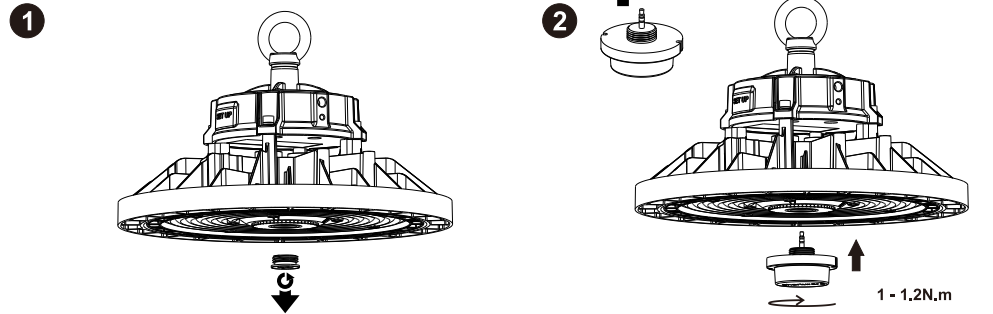


Sensor Mount

Sensor Option 1 : 3 PIN Sensor



Sensor Option 2 : 1 PIN Sensor

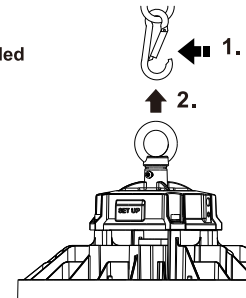
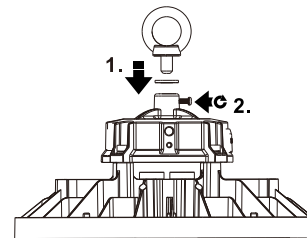


Suspension Mount

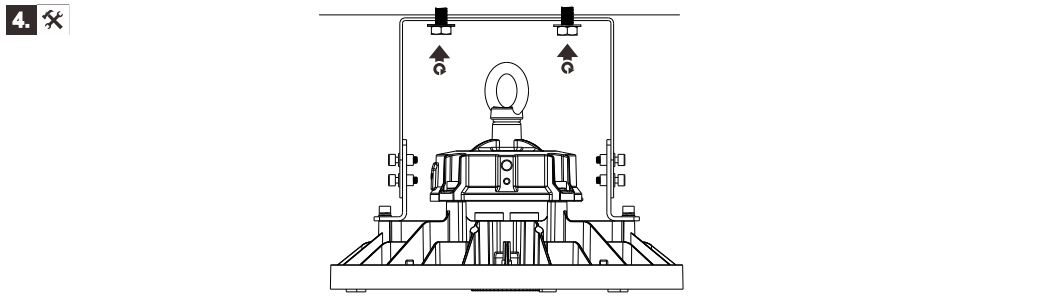
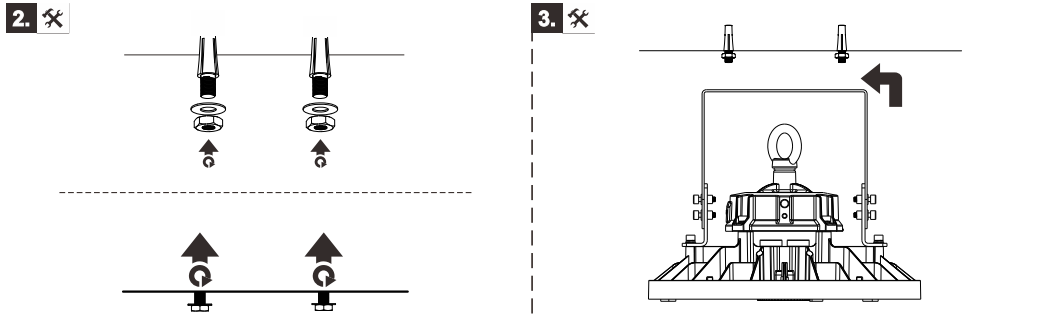
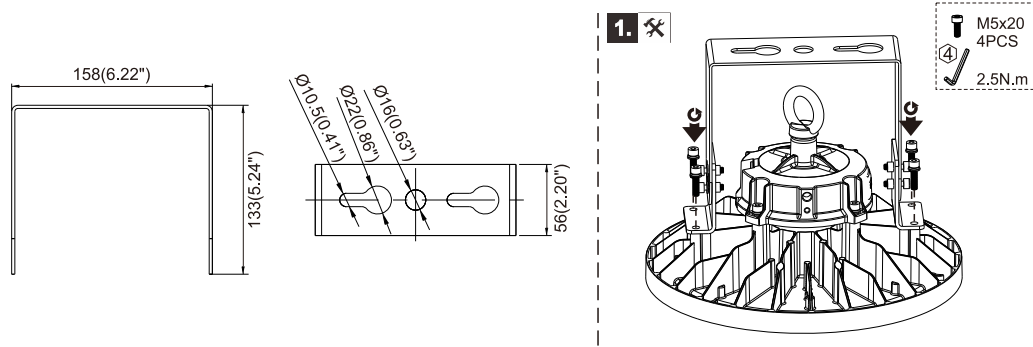
1. Make sure the screws are tightened



2. **Recommended Hook Size: Ø6x60mm/ Ø8x80mm**

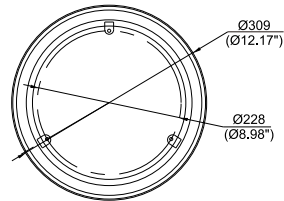


Ceiling Mount(Unit: mm/inch)

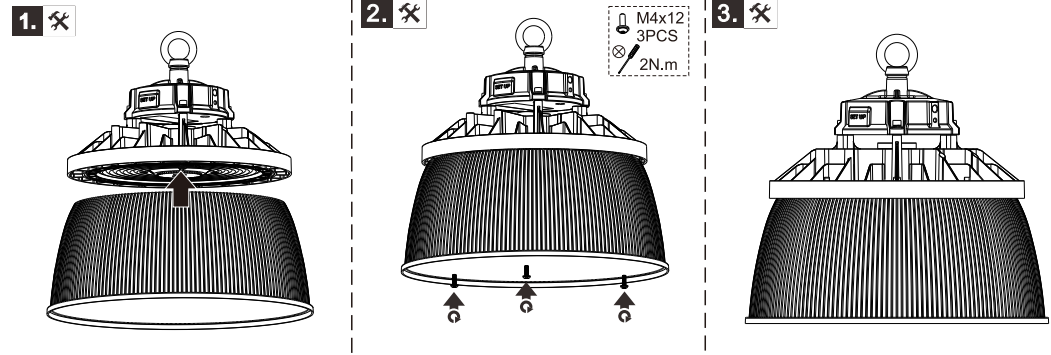
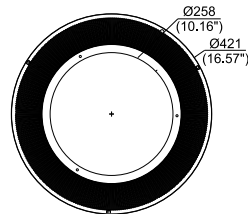


PC Reflectors(Unit: mm/inch)

100W/120W/150W

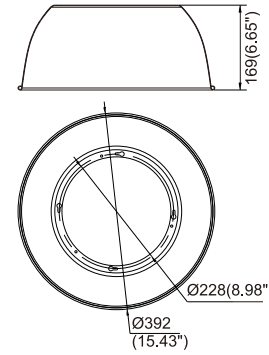


200W

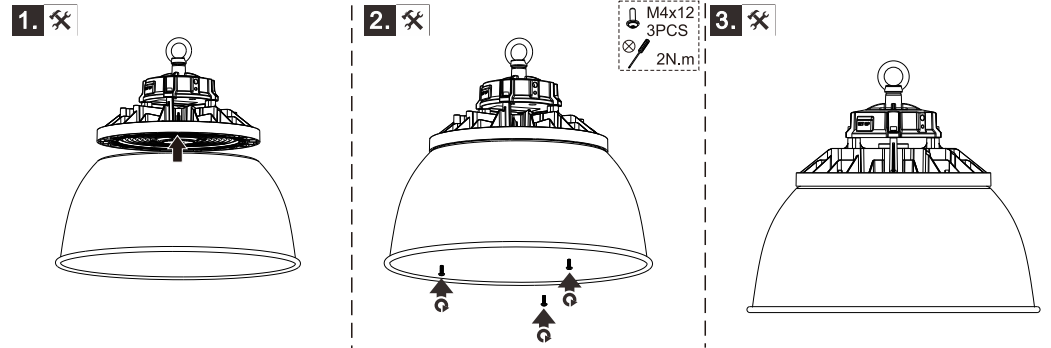
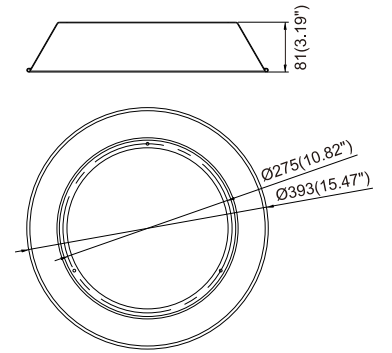


Aluminum Reflectors(Unit: mm/inch)

100W/120W/150W



200W



AC cords

L	brown	black
N	blue	white
⊕	yellow/green	green

DIM cords

Note: color for dim cords subject to the cable label on luminaire



Warning! Do not wire dim cord to high voltage, or dim function will fail.

- Don't wire dim cord to high voltage, avoid dim function fail.
- Installation height recommends to be above 4 meters and indoor application.
- We highly suggest users to maintain and clean dust from the luminaire regularly, to keep its lifespan.
- If the external flexible cable or cord of this luminaire is damaged, it shall be exclusively replaced by the manufacturer or his service agent or a similar qualified person in order to avoid a hazard.