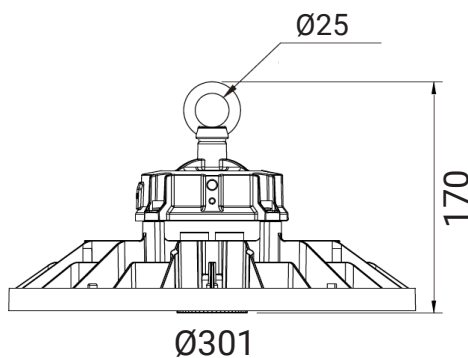




ALTITUDE III

Altitude III is perfect for any high ceiling application including warehouses, industrial facilities, and factories. Offering a sleek design, the Altitude III provides clear and uniform light. A key feature is the adjustable power which can be set to 60%, 80% and 100% by adjusting the DIP switch on the driver. Different reflectors can be used to provide different kinds of illumination for relevant tasks.



PRODUCT FEATURES

- Light output, up to 38,006Lm
- Efficacy: Up to 190Lm/W
- Lifetime: 71,000 hours (L80)
- Colour rendering exceeds CRI: >70/>80
- Beam Angle: 60°/90°/120°
- CCT options: 3000K/4000K/5000K
- Power wattage adjustable
- Polycarbonate optical lens
- Microwave motion sensor & PIR sensor available on request
- Loop or ceiling mounting
- Available colour: black
- Dimming: Dali on request
- Five Year Warranty



Model	Delivered Lumens	System Power Adjustable	CCT	Beam Angle
HB-ALT3-150	27650Lm/28558Lm/27945Lm	150W - 120W - 90W	3000K/4000K/5000K	60°/90°/120°
HB-ALT3-200	36793Lm/38006Lm/37187Lm	200W - 160W - 120W	3000K/4000K/5000K	60°/90°/120°

CRI	Material	Voltage	Colour	Dimming
>70/>80	Aluminium & PC	220-240V	Black	Non-Dim/0-10V

* Lumens will vary depending on beam angle



Accessories

(available on request)



LPA-AC-ALT3-REF-PC
PC Reflector: Ø421x165mm



LPA-AC-ALT3-REF-AL
Aluminium Reflector:
Ø560x106mm



LPA-AC-ALT3-MS
Motion Sensor: Ø52x20mm



LPA-AC-ALT3-PIR-SENSOR
PIR Sensor: Ø61x28mm



LPA-AC-ALT3-BRACKET
Ceiling Mount Bracket:
196x150x56mm



LPA-AC-ALT3-BRACKET-ADJ-90D
Adjustable Bracket (90°):
196x150x56mm

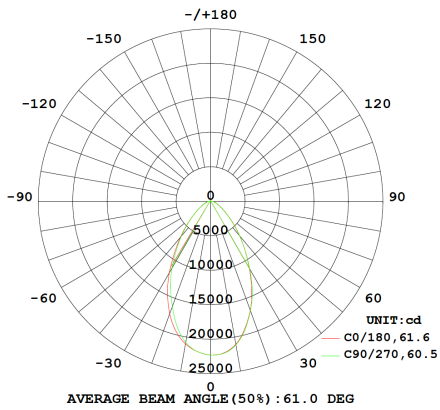


LPA-AC-PC-LENS
PC Lens

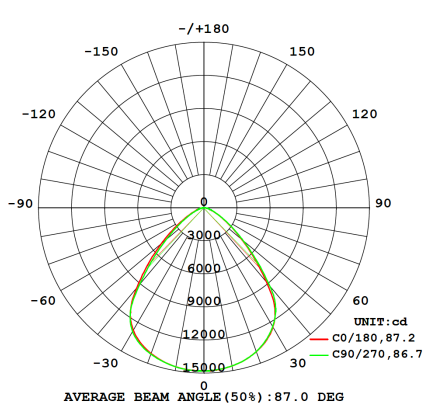
Photometrics

(standard beam angles, alternative available on request)

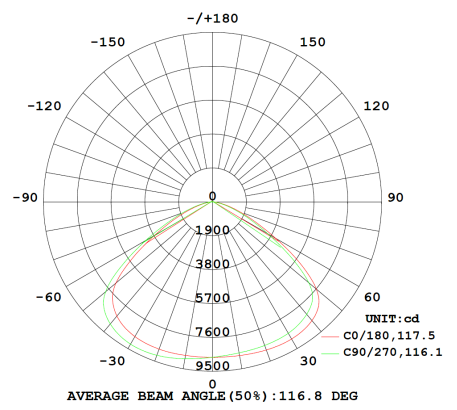
Wide (60°) at 150W



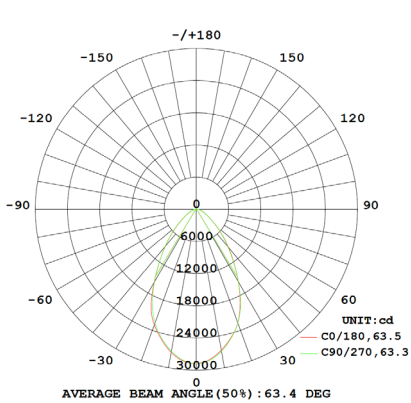
Wide (90°) at 150W



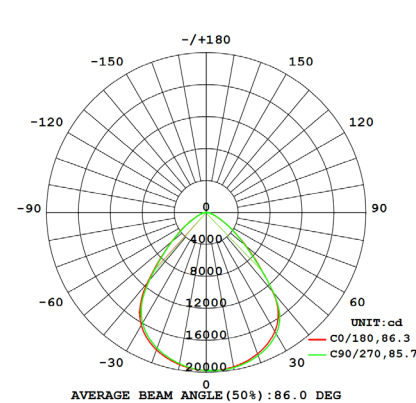
Very Wide (120°) at 150W



Wide (60°) at 200W



Wide (90°) at 200W



Very Wide (120°) at 200W

