

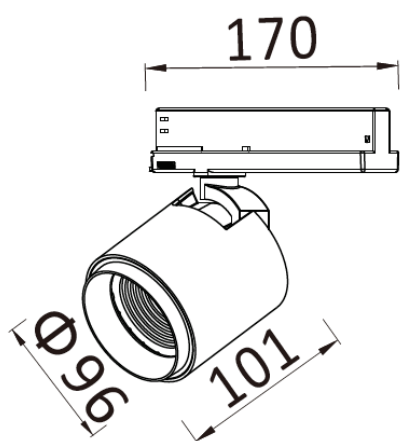


## HERO ST-A822 (High Efficacy)

The Hero series offers precise optics with a unique stylish appearance. No gearbox is required due to a driver in-track adapter offering better heat dissipation and superior spot lighting with a high-quality optical lens. This compact luminaire offers powerful accent lighting, paired with our market-leading energy efficiency and colour rendering. With a range of output levels and beam angles, the Hero series matches its namesake in retail, hospitality and general display lighting applications.

All our fixtures fit standard three-circuit track and adjust easily through 90° in the vertical plane and 355° in the horizontal plane.

The Hero series is available in track and recessed spot. The recessed option allows the body to be recessed into the ceiling.



Model	System Power (W)	Source Lumen (Lm) (CRI>90, 3000K)	System Lumen (Lm) / Beam Angle (CRI>90, 3000K)			
			Narrow (16°/11°/16°)	Narrow (22°/20°/21°)	Medium (35°/33°/33°)	Wide (56°/56°/55°)
ST-A822	13	2016	1632	1748	1802	1689
ST-A822	14	1855	1496	1571	1616	1520
ST-A822	23	3229	2604	2697	2734	2598

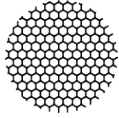
  

CRI	CCT	Material	LED Lifetime	Colour	Voltage	Dimming
>90	3000K/4000K	Aluminium	L80(12K) > 66,000 hrs L90 (12K) > 41,000 hrs	BK / WH	220-240V	Available on request



## Accessories

(available on request)



Honeycomb Lens



Elliptical Lens

## Photometrics

(standard beam angles, alternative available on request)

