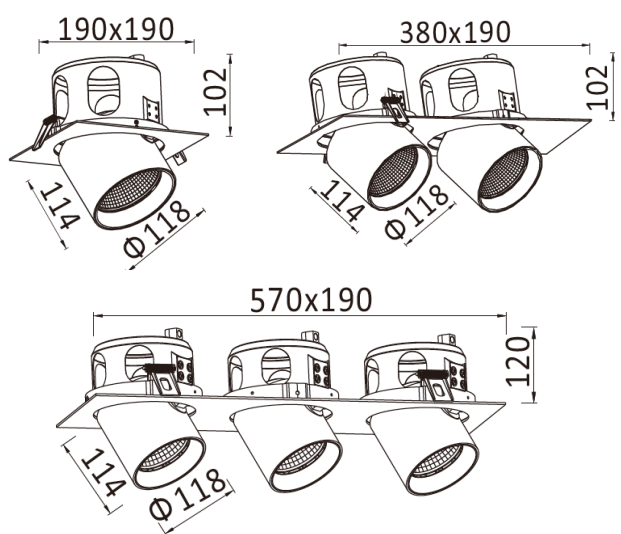




# OCTOPUS SR-C103

For a downlight that can double as a feature spot or wall washer, we present the Octopus series. With up to 3 lamp connections, this luminaire is compact and powerful. Our market-leading rendering makes this downlight ideal for any commercial or retail application. This functional and flexible downlight will meet the varying needs of architectural projects with a 355° rotation and 70° tilt.



- 
- 
- 
- 
- 
- 
- 
- 
- 
- 

- 
- (1) 175x175
- (2) 365x175
- (3) 555x175

Model	Source Power (W)	System Power (W)	Source Lumen (Lm) (CRI>90, 3000K)	System Lumen (Lm) / Beam Angle (CRI>90, 3000K)			
				Narrow (12°/10°/10°/12°)	Medium (20°/20°/20°/21°)	Medium (43°)	Wide (58°)
SR-C103-J	17	19	2269	2176	2120	2099	2108
SR-C103-K	25	27	3107	3030	2936	2896	2928
SR-C103-L	32	35	3985	3781	3676	3620	3689
SR-C103-M	36	39	4454	4338	4245	4177	4220

CRI	CCT	Material	LED Lifetime	Colour	Voltage	Dimming
>90	3000K/4000K	Aluminium	L80(12K) > 66,000 hrs L90 (12K) > 41,500 hrs	BK / WH	220-240V	Available on request

Model	Source Lumen (Lm) / Beam Angle (CRI>90, 3000K)
SR-C103-2-J	2x2269
SR-C103-2-K	2x3107
SR-C103-2-L	2x3985
SR-C103-2-M	2x4454

Model	Source Lumen (Lm) / Beam Angle (CRI>90, 3000K)
SR-C103-3-J	3x2269
SR-C103-3-K	3x3107
SR-C103-3-L	3x3985
SR-C103-3-M	3x4454



For office locations visit [www.lpalighting.com](http://www.lpalighting.com)

The information presented in this document is for information purposes only and does not constitute any obligation on our part. We reserved the right to make technical and design changes at any time and without notice.

