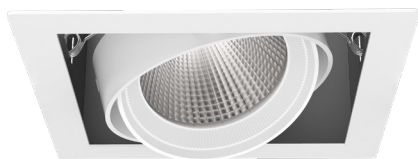


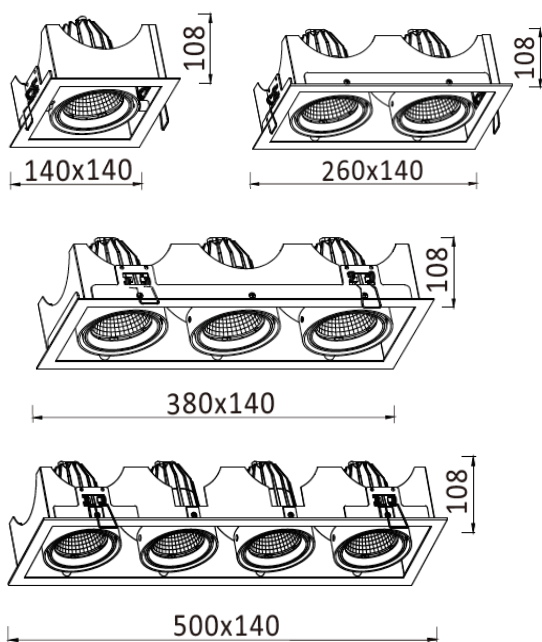


MAGIC BOX SR-C058



The Magic Box series is available in single, double, triple and quadruple lamp configurations for all commercial applications. It provides availability for high-lumen output, a varied reflector range for different beam angles and safety glass.

Energy efficiency is a key component of our product focus, and the Magic Box series will ensure significant energy savings over traditional solutions.



- (1) 130x130
- (2) 250x130
- (3) 370x130
- (4) 490x130

Model	Source Power (W)	System Power (W)	Source Lumen (Lm) (CRI>90, 3000K)	System Lumen (Lm) / Beam Angle (CRI>90, 3000K)			
				Narrow (15°)	Narrow (21°)	Medium (37°)	Wide (60°)
SR-C058-J	17	19	2269	2090	2085	2056	1990
SR-C058-K	25	27	3108	2857	2814	2829	2712

CRI	CCT	Material	LED Lifetime	Colour	Voltage	Dimming
>90	3000K/4000K	Aluminium	L80(12K) > 66,000 hrs L90 (12K) > 41,500 hrs	BK / WH	220-240V	Available on request

Model	Source Lumen (Lm) (CRI>90, 3000K)
SR-C058-2-J	2x2269
SR-C058-2-K	2x3108

Model	Source Lumen (Lm) (CRI>90, 3000K)
SR-C058-3-J	3x2269
SR-C058-3-K	3x3108

Model	Source Lumen (Lm) (CRI>90, 3000K)
SR-C058-4-J	4x2269
SR-C058-4-K	4x3108



Accessories

(available on request)



Honeycomb Louvre



Elliptical Lens



Cross Accessory

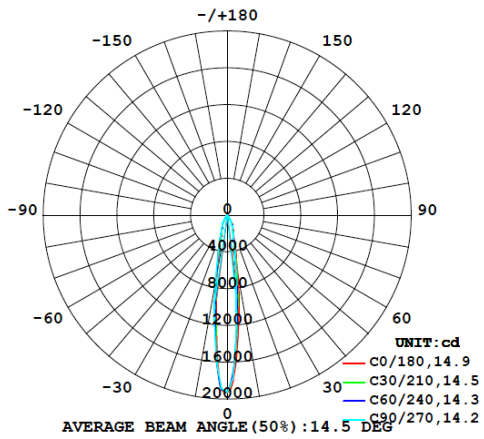


Glass Lens

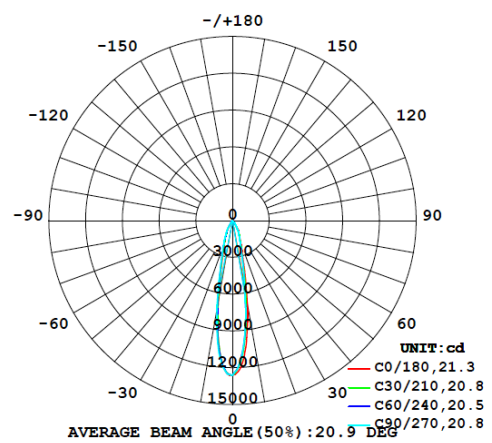
Photometrics

(standard beam angles, alternative available on request)

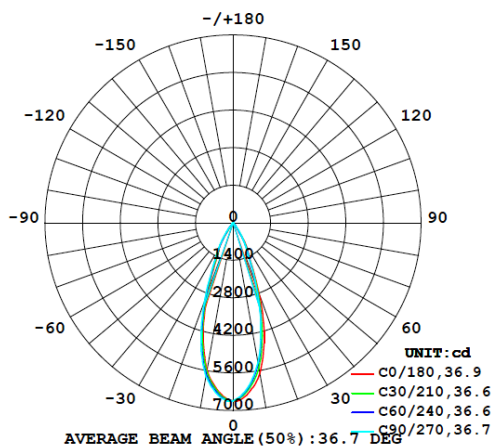
Narrow (15°) at 27W



Narrow (21°) at 27W



Medium (37°) at 27W



Wide (60°) at 27W

