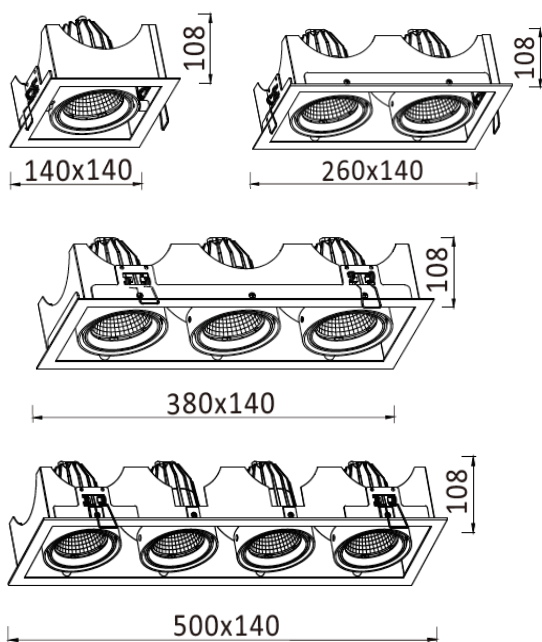
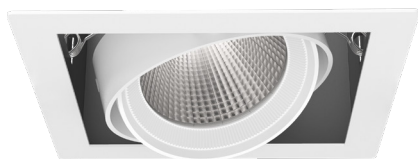




## MAGIC BOX SR-C058 (High Efficacy)

The Magic Box series is available in single, double, triple and quadruple lamp configurations for all commercial applications. It provides availability for high-lumen output, a varied reflector range for different beam angles and safety glass.

Energy efficiency is a key component of our product focus, and the Magic Box series will ensure significant energy savings over traditional solutions.



- (1) 130x130
- (2) 250x130
- (3) 370x130
- (4) 490x130

Model	System Power (W)	Source Lumen (Lm) (CRI>90, 3000K)	System Lumen (Lm) / Beam Angle (CRI>90, 3000K)			
			Narrow (15°/15°/17°)	Medium (20°/21°/22°)	Medium (36°/36°/38°)	Wide (61°/62°/60°)
SR-C058-J	14	2016	1824	1802	1785	1725
SR-C058-K	23	3228	2833	2758	2799	2731
SR-C058-L	26	3849	3411	3341	3331	3225

CRI	CCT	Material	LED Lifetime	Colour	Voltage	Dimming
>90	3000K/4000K	Aluminium	L80 (12K) > 66,000 hrs L90 (12K) > 41,000 hrs	BK / WH	220-240V	Available on request

Model	Source Lumen (Lm) (CRI>90, 3000K)
SR-C058-2-J	2x2269
SR-C058-2-K	2x3108

Model	Source Lumen (Lm) (CRI>90, 3000K)
SR-C058-3-J	3x2269
SR-C058-3-K	3x3108

Model	Source Lumen (Lm) (CRI>90, 3000K)
SR-C058-4-J	4x2269
SR-C058-4-K	4x3108



## Accessories

(available on request)



Honeycomb Louvre



Elliptical Lens



Cross Accessory

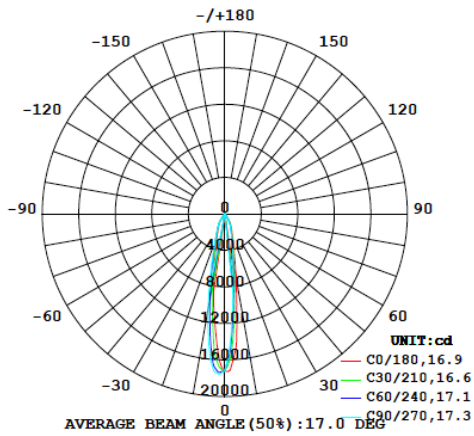


Glass Lens

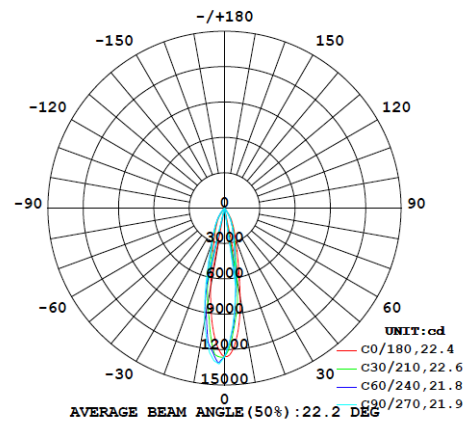
## Photometrics

(standard beam angles, alternative available on request)

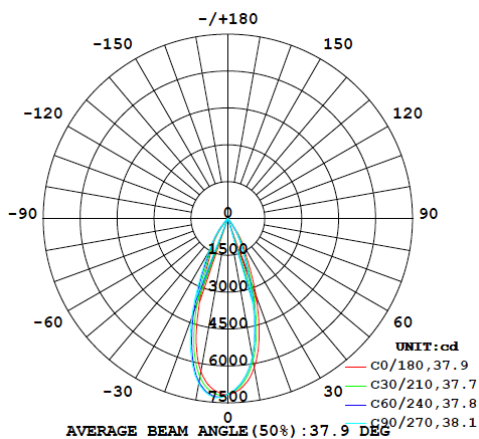
Narrow (17°) at 26W



Narrow (22°) at 26W



Medium (38°) at 26W



Wide (60°) at 26W

