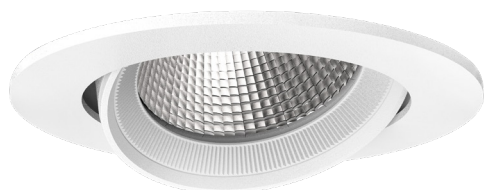


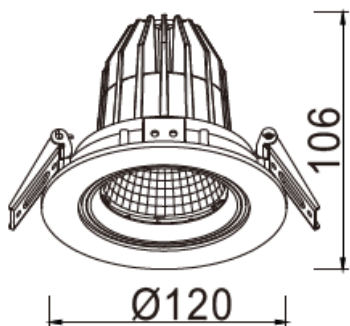


LEGEND SR-C057 (High Efficacy)



The Legend series is a versatile downlight for all commercial applications. Offering a 355° rotation and tilted up to 30° for both accent and general lighting, the Legend provides exact and accurate aiming of the product on space.

Energy efficiency is a key component of our product focus and the Legend series is at the top of the performance scale, ensuring significant energy savings over many alternative solutions.



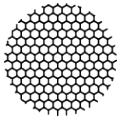
| Model | System Power (W) | Source Lumen (Lm) (CRI>90, 3000K) | System Lumen (Lm) / Beam Angle (CRI>90, 3000K) | | | |
|-----------|------------------|--------------------------------------|---|-------------------------|-------------------------|-----------------------|
| | | | Narrow (15°/15°/17°) | Medium (20°/21°/22°) | Medium (36°/36°/38°) | Wide (61°/62°/60°) |
| SR-C057-J | 14 | 2016 | 1824 | 1802 | 1785 | 1725 |
| SR-C057-K | 23 | 3228 | 2833 | 2758 | 2799 | 2731 |
| SR-C057-L | 26 | 3848 | 3411 | 3341 | 3331 | 3225 |

| CRI | CCT | Material | LED Lifetime | Colour | Voltage | Dimming |
|-----|-------------|-----------|--|---------|----------|----------------------|
| >90 | 3000K/4000K | Aluminium | L80 (12K) > 66,000 hrs L90 (12K) > 41,000 hrs | BK / WH | 220-240V | Available on request |



Accessories

(available on request)



Honeycomb Louvre



Elliptical Lens



Cross Accessory



Glass Lens

Photometrics

(standard beam angles, alternative available on request)

