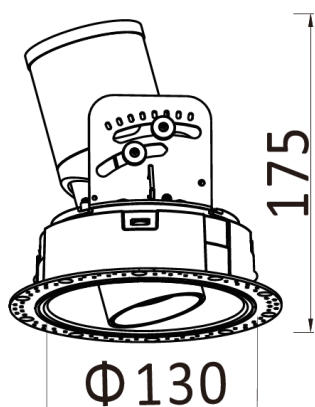




SUMMER SR-A617 (High Efficacy)

The Summer is an adjustable downlight series with the ability to shift modes as a recessed luminaire to a spotlight. Its high efficiency lens provides a uniformed light distribution. With a rotation up to 355° and vertical axis tilt of up to 30°, the Summer series delivers flexibility to suit a variety of applications.

Available in a trim version.



Model	System Power (W)	Source Lumen (Lm) (CRI>90, 3000K)	System Lumen (Lm) / Beam Angle (CRI>90, 3000K)			
			Narrow (13°/20°)	Medium (24°/31°)	Medium (35°/40°)	Wide (47°/52°)
SR-A617-A	8	801	642	678	658	663
SR-A617-B	14	1854	1410	1518	1469	1507

CRI	CCT	Material	LED Lifetime	Colour	Voltage	Dimming
>90	3000K/4000K	Aluminium	L80 (12K) > 66,000 hrs L90 (12K) > 41,000 hrs	BK / WH	220-240V	Available on request



Accessories

(available on request)



Honeycomb Louvre



Elliptical Lens

Photometrics

(standard beam angles, alternative available on request)

