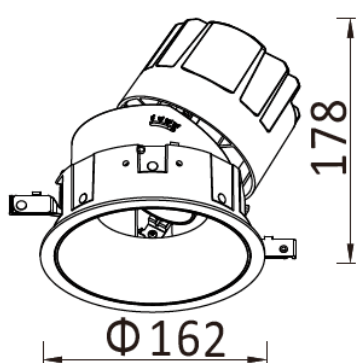




AUGUS SR-A591

The Augus is a downlight specifically designed for commercial and high-end hotel projects. Its modular construction and interchangeable components promote a sustainable approach to maintenance and replacements. Its aluminium die-cast housing and heatsink ensure excellent heat dissipation for optimal performance. Available reflector colours are golden, chrome black, silver, black, chrome and white.



-
-
-
-
-
-
-
-
-
-

Model	Source Power (W)	System Power (W)	Source Lumen (Lm) (CRI>90, 3000K)	System Lumen (Lm) / Beam Angle (CRI>90, 3000K)			
				Narrow (18°/12°/17°/11°/ 17°/14°/20°)	Medium (28°/27°/ 27°/28°)	Medium (41°/40°/ 40°/41°)	Wide (57°/55°/ 55°/57°)
SR-A591	12	14	2269	1167	1239	1283	1121
SR-A591	14	15	1439	1005	-	-	-
SR-A591	17	19	2269	1571	1683	1781	1571
SR-A591	22	24	1960	1401	-	-	-
SR-A591	25	27	3107	2621	2796	2920	2588
SR-A591	25	28	2269	2049	-	-	-
SR-A591	36	39	4454	3110	3327	3486	3051

CRI	CCT	Material	LED Lifetime	Colour	Voltage	Dimming
>90	3000K/4000K	Aluminium	L80(12K) > 66,000 hrs L90 (12K) > 41,500 hrs	BK / WH	220-240V	Available on request

For office locations visit www.lpalighting.com



The information presented in this document is for information purposes only and does not constitute any obligation on our part. We reserved the right to make technical and design changes at any time and without notice.



Accessories

(available on request)

Reflectors available in different colours



Golden



Chrome Black



Silver



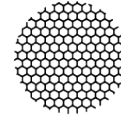
Black



Chrome



White



Honeycomb Louvre

Photometrics

(standard beam angles, alternative available on request)

