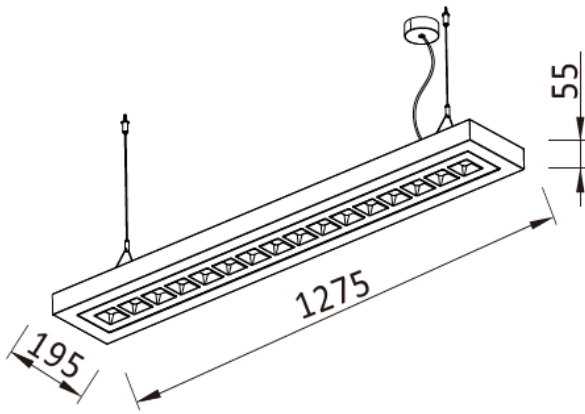




## MARK OP-A078

The Mark range is designed for both efficacy and versatility. It adopts a high transmittance lens and an anti-glare reflector to provide uniform light distribution. The Mark range provides optimal lighting for commercial applications.



Model	System Power (W)	System Lumen (Lm) / Beam Angle (CRI>80, 4000K)		Efficacy (Lm/W)
		Wide (85°)		
OP-A078	42	4841		Up to 115Lm/W

CRI	CCT	Material	LED Lifetime	Colour	Voltage	Dimming
>80	3000K/4000K	Aluminium	50,000 hrs	BK / WH	220-240V	Available on request



---

## Photometrics

(standard beam angles, alternative available on request)

---

