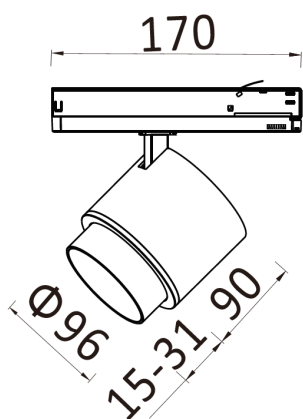




## JUNE II ST-A846

The June II series offers an adjustable lens adapting the beam angle from narrow to wide with one simple twist of the lens. The June II has been redesigned to achieve a more compact design, a smoother transition when adjusting the distance between the lens and the source, and a new lens ensuring uniformity and no excess secondary spotting. Offering such flexibility, this spotlight series with in-track driver is suitable for all applications.

All our fixtures fit standard three circuit track and adjust easily through 90° in the vertical plane and 355° in the horizontal plane. Options include the choice of CCT colour, body colour and lens.



| Model     | Source Power (W) | System Power (W) | Source Lumen (Lm)<br>(CRI>90, 3000K) | System Lumen (Lm) / Beam Angle<br>(CRI>90, 3000K) |  |
|-----------|------------------|------------------|--------------------------------------|---|--|
|           |                  |                  |                                      | Narrow~Wide<br>(17°~64°)                          |  |
| ST-A846-J | 17               | 19               | 2269                                 | 1583~ 2015  |  |
| ST-A846-K | 25               | 27               | 3107                                 | 2144~ 2725  |  |

| CRI | CCT         | Material  | LED Lifetime                                    | Colour  | Voltage  | Dimming              |
|-----|-------------|-----------|---|---------|----------|----------------------|
| >90 | 3000K/4000K | Aluminium | L80(12K) > 66,000 hrs<br>L90 (12K) > 41,500 hrs | BK / WH | 220-240V | Available on request |



## Accessories

(available on request)



Honeycomb Louvre

## Photometrics

(standard beam angles, alternative available on request)

