

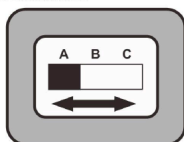


ELEVATION II

Elevation II is an economical and compact highbay. It is the perfect choice for any warehouse, fitness centre or application with high ceilings. With high lumen efficiency, the Elevation II highbay provides a high quality light output. A key feature is the adjustable power which can be set to 100%, 80% and 60%. Elevation II offers quality performance and value for money.



Power Selectable

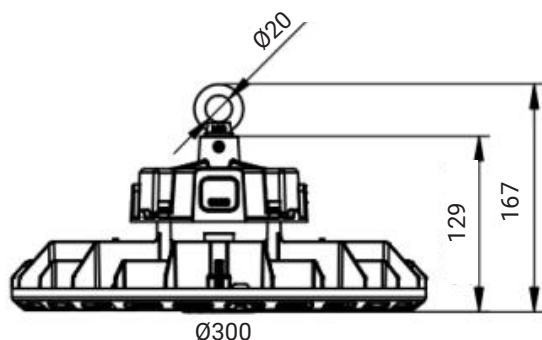


A: 100% B: 80% C: 60% * The tolerance for power is $\pm 10\%$

Power Percentage \	200W	150W	100W
100%	200W	150W	100W
80%	160W	120W	80W
60%	120W	90W	60W

PRODUCT FEATURES

- Light output, up to 32,000Lm
- Efficacy: Up to 160Lm/W
- Lifetime: 135,000 hours (L70)
- Colour rendering exceeds CRI: >70/>80
- Beam Angle: 60°/90°/120°
- CCT options: 3000K/4000K/5000K
- Power wattage adjustable
- Polycarbonate optical lens
- Daylight sensor, microwave motion sensor, PIR sensor available on request
- Loop or ceiling mounting
- Available colour: black
- Dimming: Dali on request
- Five Year Warranty



Model	Lumen Output	System Power Switchable	CCT	Beam Angle
HB-ELE2-150	24000Lm	90W - 120W - 150W	3000K/4000K/5000K	60°/85°/120°
HB-ELE2-200	32000Lm	120W - 160W - 200W	3000K/4000K/5000K	60°/85°/120°

CRI	Material	Voltage	Colour	Dimming
>70/>80	Aluminium	220-240V	Black	Non-Dim/DALI



Accessories

(available on request)



LPA-AC-ELE2-REF-PC-90D
PC Reflector (90°)



LPA-AC-ELE2-REF-AL-90D
Aluminium Reflector (90°)



LPA-AC-ELE2-ZHA-MMS
Zhanga Microwave Motion Sensor



LPA-AC-ELE2-ZHA-PIR
Zhanga PIR Sensor



LPA-AC-ELE2-CASAMBI-H30-02
Casambi Ready Wireless Module



LPA-AC-ELE2-BRACKET
Ceiling Bracket



LPA-AC-ELE2-BRACKET-ADJ
Adjustable Bracket (30°)



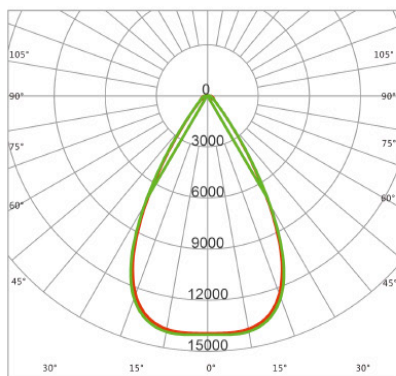
LPA-AC-SC
201 Safety Chain 0.5m



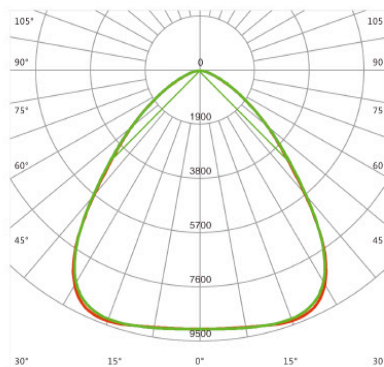
LPA-EC-ELE2-CONTROL
Remote Control

Photometrics

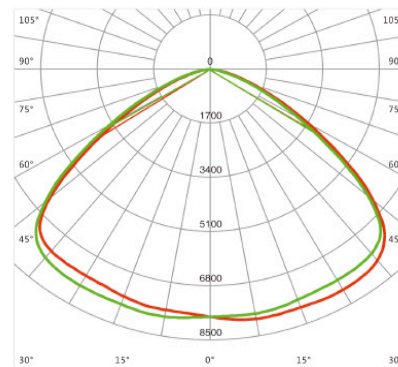
(standard beam angles, alternative available on request)



Wide (60°)



Wide (85°)



Very Wide (120°)