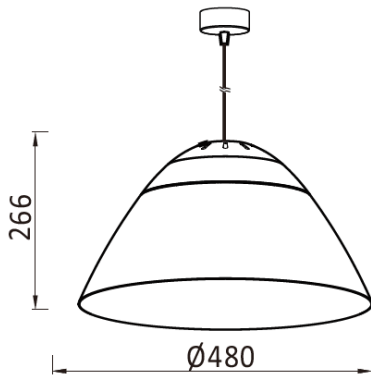




KING KONG DS-A002

King Kong is a streamlined commercial pendant with an integral driver and dimming capabilities. It is ideal for breakout areas and for task lighting to highlight particular areas within your space. Custom colours are available on request.



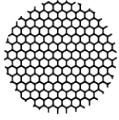
| Model | Source Power (W) | System Power (W) | Source Lumen (Lm) (CRI>90, 3000K) | System Lumen (Lm) / Beam Angle (CRI>90, 3000K) | | | |
|-----------|------------------|------------------|--------------------------------------|---|-----------------|-----------------|-----------------------|
| | | | | Narrow (11°/13°/13°) | Narrow (20°) | Medium (43°) | Wide (60°/59°/60°) |
| DS-A002-J | 17 | 19 | 2269 | 2238 | 2196 | 2171 | 2135 |
| DS-A002-K | 25 | 27 | 3107 | 3023 | 2970 | 2948 | 2807 |
| DS-A002-L | 32 | 35 | 3985 | 3786 | 3705 | 3687 | 3632 |

| CRI | CCT | Material | LED Lifetime | Colour | Voltage | Dimming |
|-----|-------------|-----------|---|---------|----------|----------------------|
| >90 | 3000K/4000K | Aluminium | L80(12K) > 66,000 hrs L90 (12K) > 41,500 hrs | BK / WH | 220-240V | Available on request |



Accessories

(available on request)



Honeycomb Louvre



Elliptical Lens



Glass Lens

Photometrics

(standard beam angles, alternative available on request)

