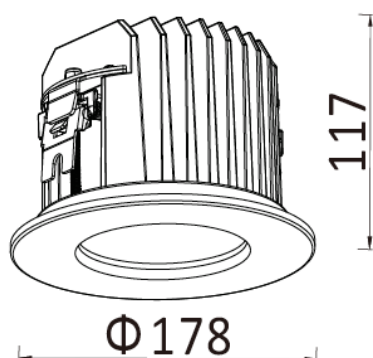




SIMON DR-A587

Simon is a durable and high-performing range of luminaires. With an impressive IP65 rating, its die-casting structure effectively seals out water and ensures reliability in any environment. Available in recessed and surface-mounted versions in a round and square format, the Simon range offers versatile solutions for your lighting needs.



Model	Source Power (W)	System Power (W)	Source Lumen (Lm) (CRI>90, 3000K)	System Lumen (Lm) / Beam Angle (CRI>90, 3000K)	
				Medium (36°/35°/36°/37°/37°)	Wide (47°/48°/47°/48°/48°)
DR-A587-J	17	19	2269	1797	1756
DR-A587-K	25	27	3107	2508	2447
DR-A587-L	32	35	3985	3144	3074
DR-A587-M	36	39	4454	3613	3605
DR-A587-N	43	50	5055	4208	4116

CRI	CCT	Material	LED Lifetime	Colour	Voltage	Dimming
>90	3000K/4000K	Aluminium	L80 (12K) > 60,000 hrs L90 (12K) > 41,500 hrs	BK / WH	220-240V	Available on request

