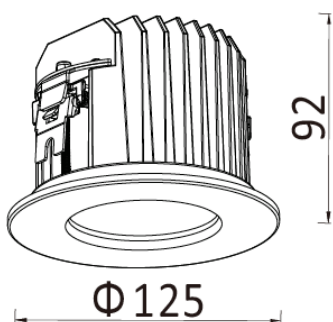




# SIMON DR-A571

Simon is a durable and high-performing range of luminaires. With an impressive IP65 rating, its die-casting structure effectively seals out water and ensures reliability in any environment. Available in recessed and surface-mounted versions in a round and square format, the Simon range offers versatile solutions for your lighting needs.



Model	Source Power (W)	System Power (W)	Source Lumen (Lm) (CRI>90, 3000K)	System Lumen (Lm) / Beam Angle (CRI>90, 3000K)			
				Narrow (15°/16°/15°/17°)	Narrow (19°/19°/19°/20°)	Medium (40°/41°/41°/41°)	Wide (57°/57°/57°/56°)
DR-A571-J	17	20	2269	2093	2078	2027	1934
DR-A571-K	25	27	3107	2793	2761	2711	2591
DR-A571-L	32	35	3985	3578	3601	3472	3303
DR-A571-M	35	39	4454	4064	4079	3962	3821

CRI	CCT	Material	LED Lifetime	Colour	Voltage	Dimming
>90	3000K/4000K	Aluminium	L80 (12K) > 60,000 hrs L90 (12K) > 41,500 hrs	BK / WH	220-240V	Available on request



## Photometrics

(standard beam angles, alternative available on request)

