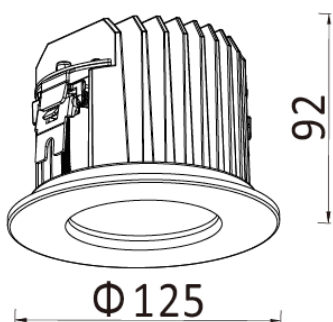




SIMON DR-A571 (High Efficacy)

Simon is a durable and high-performing range of luminaires. With an impressive IP65 rating, its die-casting structure effectively seals out water and ensures reliability in any environment. Available in recessed and surface-mounted versions in a round and square format, the Simon range offers versatile solutions for your lighting needs.



Model	System Power (W)	Source Lumen (Lm) (CRI>90, 3000K)	System Lumen (Lm) / Beam Angle (CRI>90, 3000K)			
			Narrow (14°/24°/17°/17°)	Medium (19°/19°/21°/21°)	Medium (42°/41°/43°/43°)	Wide (62°/62°/61°/61°)
DR-A571-J	14	2016	1730	1754	1704	1695
DR-A571-K	24	3228	2814	2801	2752	2740
DR-A571-L	27	3848	3252	3340	3250	3221
DR-A571-M	35	4810	4120	4165	4069	4037

CRI	CCT	Material	LED Lifetime	Colour	Voltage	Dimming
>90	3000K/4000K	Aluminium	L80 (12K) > 66,000 hrs L90 (12K) > 41,000 hrs	BK / WH	220-240V	Available on request



Photometrics

(standard beam angles, alternative available on request)

