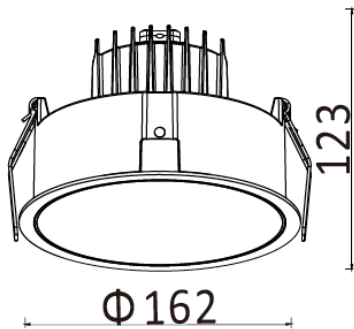




GRACE DR-A384

Grace adopts an innovative all-in-one design integrating the heatsink and outer trim. It effectively expands the heat dissipation area and improves the lifetime of the light fixtures. Equipped with lenses as optical accessories and offering a variety of front reflector colours, the Grace series effectively minimises glare. Available in fixed, adjustable and surface-mounted versions to suit your specific needs.



Model	Source Power (W)	System Power (W)	Source Lumen (Lm) (CRI>90, 3000K)	System Lumen (Lm) / Beam Angle (CRI>90, 3000K)			
				Narrow (16°/16°/16°/18°)	Narrow (22°/22°/22°/24°)	Medium (35°/35°/34°/37°)	Wide (46°/46°/48°/50°)
DR-A384-J	17	19	2269	2016	2114	2159	2158
DR-A384-K	25	27	3107	2731	2834	2908	2914
DR-A384-L	32	35	3985	3397	3552	3628	3677
DR-A384-M	36	39	4454	3970	4149	4219	4282

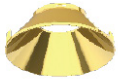
CRI	CCT	Material	LED Lifetime	Colour	Voltage	Dimming
>90	3000K/4000K	Aluminium	L80(12K) > 66,000 hrs L90 (12K) > 41,500 hrs	BK / WH	220-240V	Available on request



Accessories

(available on request)

Reflectors available in different colours



Golden



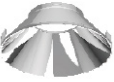
Chrome Black



Silver



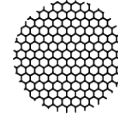
Black



Chrome



White



Honeycomb Louvre

Photometrics

(standard beam angles, alternative available on request)

