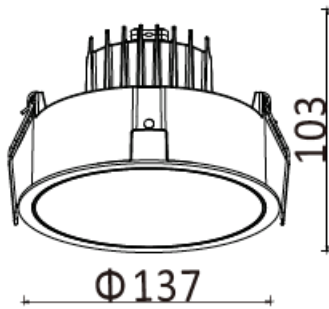




GRACE DR-A383



Grace adopts an innovative all-in-one design integrating the heatsink and outer trim. It effectively expands the heat dissipation area and improves the lifetime of the light fixtures. Equipped with lenses as optical accessories and offering a variety of front reflector colours, the Grace series effectively minimises glare. Available in fixed, adjustable and surface-mounted versions to suit your specific needs.



Model	Source Power (W)	System Power (W)	Source Lumen (Lm) (CRI>90, 3000K)	System Lumen (Lm) / Beam Angle (CRI>90, 3000K)			
				Narrow (16°/22°/22°)	Narrow (26°/29°/29°)	Medium (37°/42°/42°)	Wide (54°/54°/55°)
DR-A383-H	12	14	1586	1402	1489	1494	1423
DR-A383-J	17	19	2269	1926	2039	2040	1964
DR-A383-K	25	27	3107	2594	2746	2747	2637

CRI	CCT	Material	LED Lifetime	Colour	Voltage	Dimming
>90	3000K/4000K	Aluminium	L80(12K) > 66,000 hrs L90 (12K) > 41,500 hrs	BK / WH	220-240V	Available on request



Accessories

(available on request)

Reflectors available in different colours



Golden



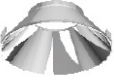
Chrome Black



Silver



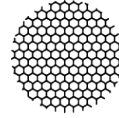
Black



Chrome



White



Honeycomb Louvre

Photometrics

(standard beam angles, alternative available on request)

