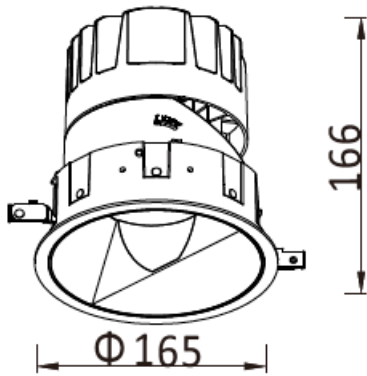
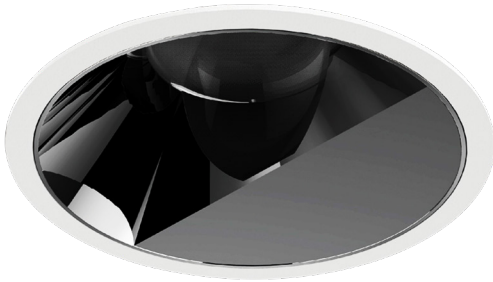




AUGUS DR-A307 (Wall Washer)

The Augus is a downlight specifically designed for commercial and high-end hotel projects. Its modular construction and interchangeable components promote a sustainable approach to maintenance and replacements. Its aluminium die-cast housing and heatsink ensure excellent heat dissipation for optimal performance. Available reflector colours are golden, chrome black, silver, black, chrome and white.



Model	Source Power (W)	System Power (W)	Source Lumen (Lm) (CRI>90, 3000K)	System Lumen (Lm) / Beam Angle (CRI>90, 3000K)	
				Wide (62°/62°/62°/63°)	
DR-A307-H	12	14	1586	653	
DR-A307-J	17	19	2269	888	
DR-A307-K	25	27	3107	1194	
DR-A307-L	36	39	4454	1730	

CRI	CCT	Material	LED Lifetime	Colour	Voltage	Dimming
>90	3000K/4000K	Aluminium	L80(12K) > 66,000 hrs L90 (12K) > 41,500 hrs	BK / WH	220-240V	Available on request



Accessories

(available on request)

Reflectors available in different colours



Golden



Chrome Black



Silver



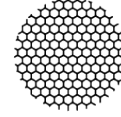
Black



Chrome



White



Honeycomb Louvre

Photometrics

(standard beam angles, alternative available on request)

