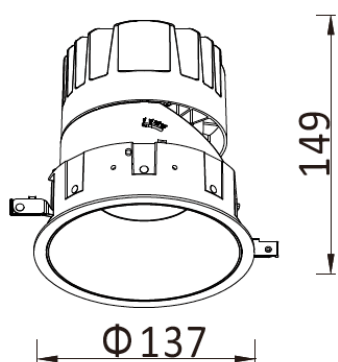




## AUGUS DR-A301

The Augus is a downlight specifically designed for commercial and high-end hotel projects. Its modular construction and interchangeable components promote a sustainable approach to maintenance and replacements. Its aluminium die-cast housing and heatsink ensure excellent heat dissipation for optimal performance. Available reflector colours are golden, chrome black, silver, black, chrome and white.



Model	Source Power (W)	System Power (W)	Source Lumen (Lm) (CRI>90, 3000K)	System Lumen (Lm) / Beam Angle (CRI>90, 3000K)			
				Narrow (17°/12°/17°/ 12°/17°)	Medium (23°)	Medium (35°/36°/36°)	Wide (54°/55°/54°)
DR-A301	12	14	1586	1170	1354	1304	1198
DR-A301	14	15	1439	1048	-	-	-
DR-A301	16	19	1586	1562	1823	1759	1622
DR-A301	22	24	1960	1436	-	-	-
DR-A301	25	27	1586	2041	2376	2294	2125

CRI	CCT	Material	LED Lifetime	Colour	Voltage	Dimming
>90	3000K/4000K	Aluminium	L80(12K) > 66,000 hrs L90 (12K) > 41,500 hrs	BK / WH	220-240V	Available on request



## Accessories

(available on request)

Reflectors available in different colours



Golden



Chrome Black



Silver



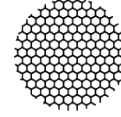
Black



Chrome



White



Honeycomb Louvre

## Photometrics

(standard beam angles, alternative available on request)

