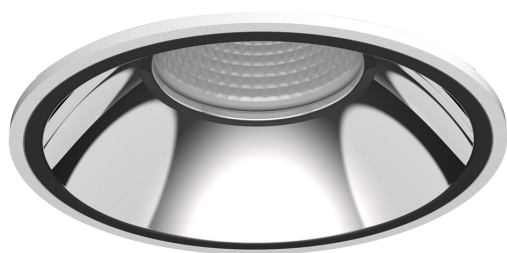




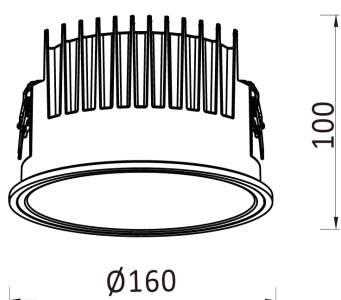
HEMER DR-A289 (High Efficacy)



The Hemer is a modern and compact downlight ideal for commercial applications. Offering flexibility through its range of sizes and power wattages, the Hemer series is a great choice to ensure your lighting layout will look its best. Available reflector colours are white, black, silver, golden and specular chrome.

Energy efficiency is a key component of our product focus and the Hemer downlight series will ensure significant energy savings over traditional solutions.

The Hemer is also available with a cyanosis COI option ideal for healthcare and medical facilities.



Model	System Power (W)	Source Lumen (Lm) (CRI>90, 3000K)	System Lumen (Lm) / Beam Angle (CRI>90, 3000K)			
			Narrow (17°/17°/18°/18°/19°)	Narrow (20°/20°/22°/21°/22°)	Medium (42°/42°/43°/43°/45°)	Wide (58°/58°/58°/58°/61°)
DR-A289	14	2016	1733	1735	1688	1591
DR-A289	17	3229	2714	2739	2648	2497
DR-A289	26	3849	3285	3280	3123	3021
DR-A289	35	4810	4129	4161	4010	3799
DR-A289	39	5241	4281	4379	4092	4133

CRI	CCT	Material	LED Lifetime	Colour	Voltage	Dimming
>90	3000K/4000K	Aluminium	L80(12K) > 66,000 hrs L90 (12K) > 41,000 hrs	BK / WH	220-240V	Available on request



Accessories

(available on request)

Reflectors available in different colours



White



Black



Silver



Golden



Specular Mirror

Photometrics

(standard beam angles, alternative available on request)

