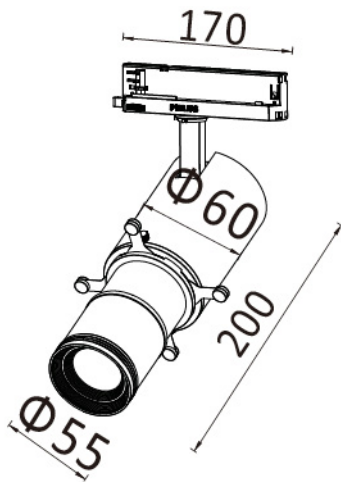




PACO ST-C475

The Paco series is designed with multiple HD lenses making it the perfect lighting solution for galleries and museums. Featuring high-precision variable optical brakes, it ensures precise shaping of light spots without any burr effect. Equipped with a bi-directional zoom function to allow for a seamless adjustment of spot size and sharpness. Paco delivers exceptional performance and aesthetics to set a new standard in lighting excellence.

All fixtures fit a standard three-circuit track and adjust through 90° vertical plane and 355° horizontal plane.

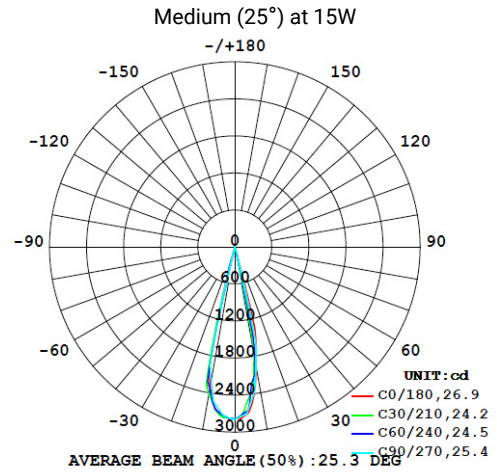
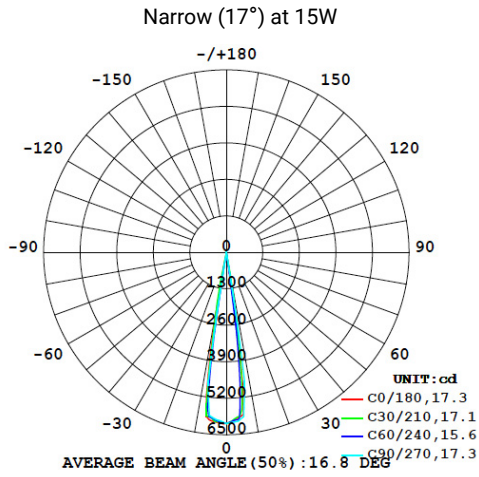


Model	Source Power (W)	System Power (W)	Source Lumen (Lm)	System Lumen (Lm) / Beam Angle		
				Narrow~Medium (17°~25°)		
ST-C475	14	15	1184	419~395		
CRI	CCT	Material	LED Lifetime	Colour	Voltage	Dimming
>90	3000K/4000K	Aluminium	L80(12K) > 66,000 hrs L90 (12K) > 41,500 hrs	BK / WH	220-240V	Available on request



Photometrics

(standard beam angles, alternative available on request)







The spot orientation can be adjusted by loosening this screw and rotating the lens.

Adjust the spot size and sharpness by rotating the housing

Adjust the position of the four variable optical brakes to obtain the expected spot shape.

The protective cover effectively prevents the lens from being scratched, so as not to affect the quality of the spot effect.