

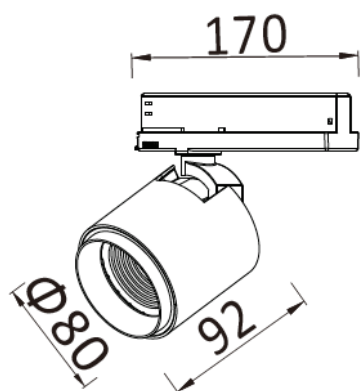


HERO ST-A823

The Hero series offers precise optics with a unique stylish appearance. No gearbox is required due to a driver in-track adapter offering better heat dissipation and superior spot lighting with a high-quality optical lens. This compact luminaire offers powerful accent lighting, paired with our market-leading energy efficiency and colour rendering. With a range of output levels and beam angles, the Hero series matches its namesake in retail, hospitality and general display lighting applications.

All our fixtures fit standard three-circuit track and adjust easily through 90° in the vertical plane and 355° in the horizontal plane.

The Hero series is available in track and recessed spot. The recessed option allows the body to be recessed into the ceiling.



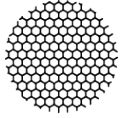
Model	Source Power (W)	System Power (W)	Source Lumen (Lm) (CRI>90, 3000K)	System Lumen (Lm) / Beam Angle (CRI>90, 3000K)			
				Narrow (20°)	Narrow (24°)	Medium (33°)	Wide (58°/57°)
ST-A823-J	17	19	2269	1903	1912	2050	1920
ST-A823-K	25	27	3107	2488	2515	2689	2552

CRI	CCT	Material	LED Lifetime	Colour	Voltage	Dimming
>90	3000K/4000K	Aluminium	L80(12K) > 66,000 hrs L90 (12K) > 41,500 hrs	BK / WH	220-240V	Available on request



Accessories

(available on request)



Honeycomb Lens



Elliptical Lens

Photometrics

(standard beam angles, alternative available on request)

