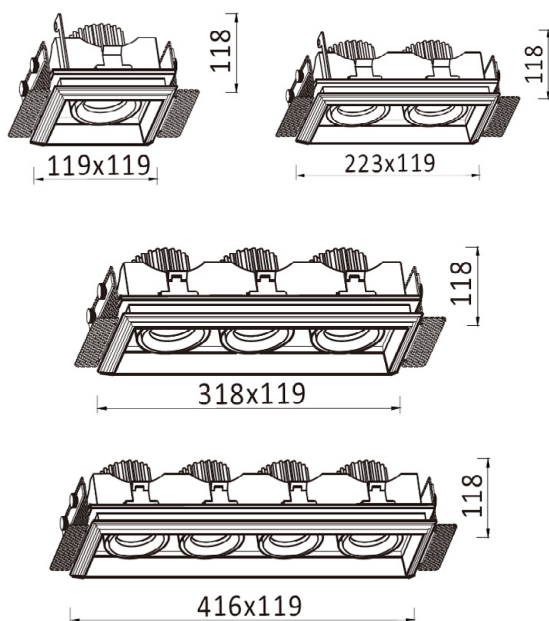




## MAGIC BOX SR-EY61 (Trimless)

The Magic Box series is available in single, double, triple and quadruple lamp configurations for all commercial applications. It provides availability for high-lumen output, a varied reflector range for different beam angles and safety glass.

Energy efficiency is a key component of our product focus, and the Magic Box series will ensure significant energy savings over traditional solutions.



- (1) 121x121
- (2) 225x121
- (3) 320x121
- (4) 418x121



Model	Source Power (W)	System Power (W)	Source Lumen (Lm) (CRI>90, 3000K)	System Lumen (Lm) / Beam Angle (CRI>90, 3000K)		
				Narrow (22°/21°)	Medium (32°)	Medium (39°/38°)
SR-EY61-A	7	8	872	555	571	585
SR-EY61-B	12	14	1586	1026	1058	1089

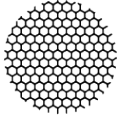
CRI	CCT	Material	LED Lifetime	Colour	Voltage	Dimming
>90	3000K/4000K	Aluminium	L80(12K) > 66,000 hrs L90 (12K) > 41,500 hrs	BK / WH	220-240V	Available on request

Model	Source Lumen (Lm) (CRI>90, 3000K)	Model	Source Lumen (Lm) (CRI>90, 3000K)	Model	Source Lumen (Lm) (CRI>90, 3000K)
SR-EY61-2-A	2x872	SR-EY61-3-A	3x872	SR-EY61-4-A	4x 872
SR-EY61-2-B	2x1586	SR-EY61-3-B	3x1586	SR-EY61-4-B	4x1586



## Accessories

(available on request)



Honeycomb Louvre

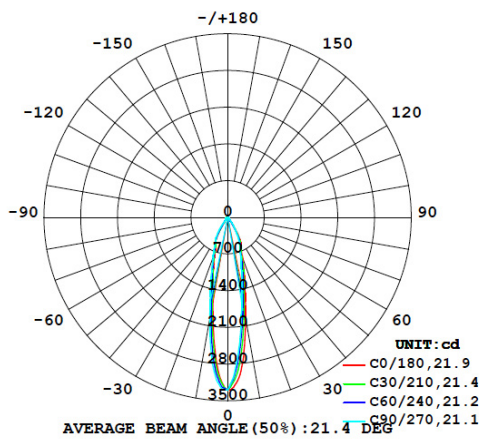


Glass Lens

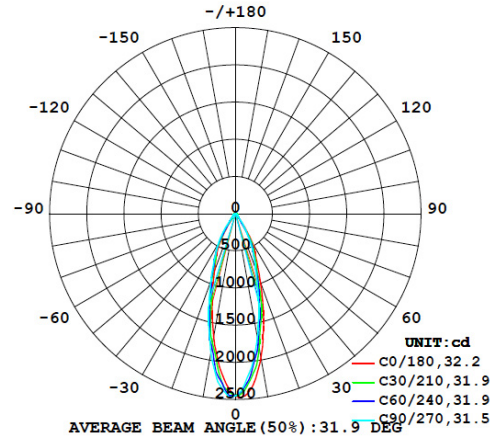
## Photometrics

(standard beam angles, alternative available on request)

Narrow (21°) at 14W



Medium (32°) at 14W



Medium (38°) at 14W

