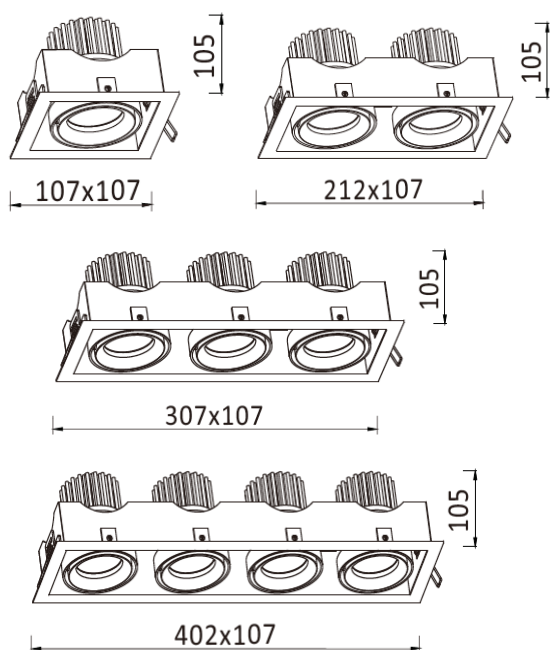




MAGIC BOX SR-EY54

The Magic Box series is available in single, double, triple and quadruple lamp configurations for all commercial applications. It provides availability for high-lumen output, a varied reflector range for different beam angles and safety glass.

Energy efficiency is a key component of our product focus, and the Magic Box series will ensure significant energy savings over traditional solutions.



-
-
-
-
-
-
-
-
-

-
- (1) 97x97
- (2) 202x97
- (3) 297x97
- (4) 392x97

Model	Source Power (W)	System Power (W)	Source Lumen (Lm) (CRI>90, 3000K)	System Lumen (Lm) / Beam Angle (CRI>90, 3000K)		
				Narrow (22°/21°)	Medium (32°)	Medium (39°/38°)
SR-EY54-A	7	8	872	555	571	585
SR-EY54-B	12	14	1586	1026	1058	1089

CRI	CCT	Material	LED Lifetime	Colour	Voltage	Dimming
>90	3000K/4000K	Aluminium	L80(12K) > 66,000 hrs L90 (12K) > 41,500 hrs	BK / WH	220-240V	Available on request

Model	Source Lumen (Lm) (CRI>90, 3000K)
SR-EY54-2-A	2x872
SR-EY54-2-B	2x1586

Model	Source Lumen (Lm) (CRI>90, 3000K)
SR-EY54-3-A	3x872
SR-EY54-3-B	3x1586

Model	Source Lumen (Lm) (CRI>90, 3000K)
SR-EY54-4-A	4x 872
SR-EY54-4-B	4x1586



For office locations visit www.lpalighting.com

The information presented in this document is for information purposes only and does not constitute any obligation on our part. We reserved the right to make technical and design changes at any time and without notice.

