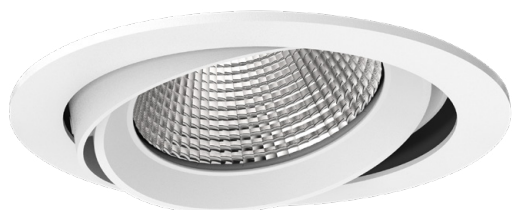


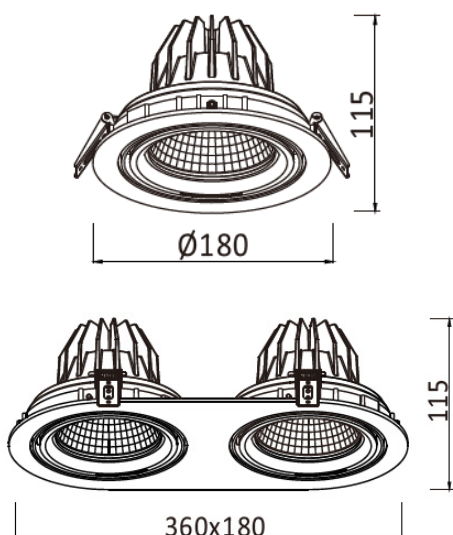


LEGEND SR-C061



The Legend series is a versatile downlight for all commercial applications. Offering a 355° rotation and tilted up to 30° for both accent and general lighting, the Legend provides exact and accurate aiming of the product on space.

Energy efficiency is a key component of our product focus and the Legend series is at the top of the performance scale, ensuring significant energy savings over many alternative solutions.



Model	Source Power (W)	System Power (W)	Source Lumen (Lm) (CRI>90, 3000K)	System Lumen (Lm) / Beam Angle (CRI>90, 3000K)			
				Narrow (11°/12°/12°/13°)	Narrow (20°/20°/20°/21°)	Medium (44°/45°/45°/45°)	Wide (60°/61°/61°/61°)
SR-C061-J	17	19	2269	2060	2037	2016	2014
SR-C061-K	25	27	3107	2866	2825	2802	2725
SR-C061-L	32	35	3985	3611	3535	3501	3404
SR-C061-M	36	39	4454	4146	4083	4046	3928
SR-C061-2J	2x17	2x19	2x2269	2x2060	2x2037	2x2016	2x2014
SR-C061-2K	2x25	2x27	2x3107	2x2866	2x2825	2x2802	2x2725
SR-C061-2L	2x32	2x35	2x3985	2x3611	2x3535	2x3501	2x3404
SR-C061-2M	2x36	2x39	2x4454	2x4146	2x4083	2x4046	2x3928

CRI	CCT	Material	LED Lifetime	Colour	Voltage	Dimming
>90	3000K/4000K	Aluminium	L80(12K) > 66,000 hrs L90 (12K) > 41,500 hrs	BK / WH	220-240	Available on request



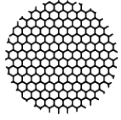
For office locations visit www.lpalighting.com

The information presented in this document is for information purposes only and does not constitute any obligation on our part. We reserved the right to make technical and design changes at any time and without notice.



Accessories

(available on request)



Honeycomb Louvre



Elliptical Lens



Cross Accessory



Glass Lens

Photometrics

(standard beam angles, alternative available on request)

