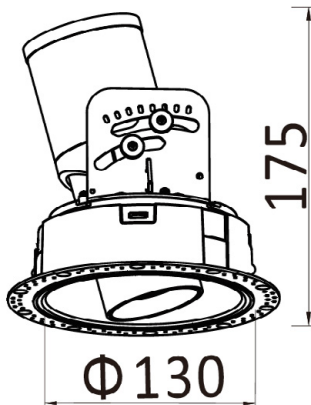




## SUMMER SR-A617 (Trimless)

The Summer is an adjustable downlight series with the ability to shift modes as a recessed luminaire to a spotlight. Its high efficiency lens provides a uniform light distribution. With a rotation up to 355° and vertical axis tilt of up to 30°, the Summer series delivers flexibility to suit a variety of applications.

Available in a trim version.



Model	Source Power (W)	System Power (W)	Source Lumen (Lm) (CRI>90, 3000K)	System Lumen (Lm) / Beam Angle (CRI>90, 3000K)			
				Narrow (12°/13°)	Medium (24°/26°)	Medium (33°/37°)	Wide (45°/50°)
SR-A617-B	14	16	1184	1003	1060	1028	1013
SR-A617-J	22	24	1960	1664	1818	1741	1748

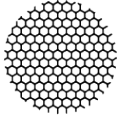
  

CRI	CCT	Material	LED Lifetime	Colour	Voltage	Dimming
>90	3000K/4000K	Aluminium	L80(12K) > 66,000 hrs L90 (12K) > 41,500 hrs	BK / WH	220-240V	Available on request



## Accessories

(available on request)



Honeycomb Louvre



Elliptical Lens

## Photometrics

(standard beam angles, alternative available on request)

