

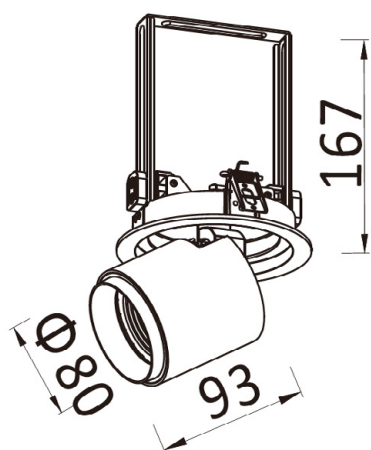


## HERO SR-A587



The Hero series offers precise optics with a unique stylish appearance. This compact luminaire offers powerful accent lighting, paired with our market-leading energy efficiency, colour rendering, a range of output levels and beam angles. The Hero series matches its names sake in retail, hospitality and general display lighting applications.

The Hero series is available in track and recessed spot. The recessed option allows the body to be recessed into the ceiling.



- 
- 
- 
- 
- 
- 
- 
- 
- 
- 
- 

Model	Source Power (W)	System Power (W)	Source Lumen (Lm) (CRI>90, 3000K)	System Lumen (Lm) / Beam Angle (CRI>90, 3000K)			
				Narrow (20°)	Narrow (24°)	Medium (33°)	Wide (58°/57°)
SR-A587-J	17	19	2269	1903	1912	2050	1921
SR-A587-K	25	27	3107	2488	2515	2689	2552

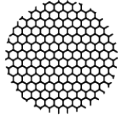
  

CRI	CCT	Material	LED Lifetime	Colour	Voltage	Dimming
>90	3000K/4000K	Aluminium	L80(12K) > 66,000 hrs L90 (12K) > 41,500 hrs	BK / WH	220-240V	Available on request



## Accessories

(available on request)



Honeycomb Louvre



Elliptical Lens

## Photometrics

(standard beam angles, alternative available on request)

