

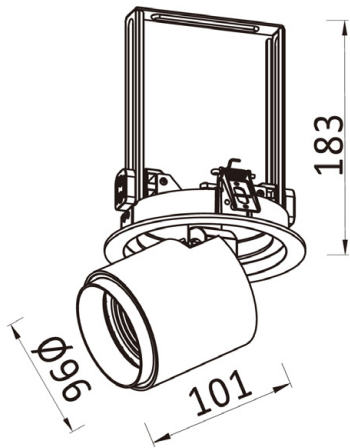


HERO SR-A586



The Hero series offers precise optics with a unique stylish appearance. This compact luminaire offers powerful accent lighting, paired with our market-leading energy efficiency, colour rendering, a range of output levels and beam angles. The Hero series matches its names sake in retail, hospitality and general display lighting applications.

The Hero series is available in track and recessed spot. The recessed option allows the body to be recessed into the ceiling.



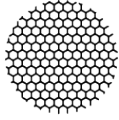
| Model | Source Power (W) | System Power (W) | Source Lumen (Lm) (CRI>90, 3000K) | System Lumen (Lm) / Beam Angle (CRI>90, 3000K) | | | |
|-----------|------------------|------------------|--------------------------------------|---|-----------------|-----------------|-----------------------|
| | | | | Narrow (15°) | Narrow (22°) | Medium (35°) | Wide (57°/57°/58°) |
| SR-A586-J | 17 | 19 | 2269 | 2028 | 2120 | 2186 | 1963 |
| SR-A586-K | 25 | 27 | 3107 | 2686 | 2821 | 2909 | 2641 |
| SR-A586-L | 32 | 35 | 3985 | 3377 | 3571 | 3633 | 3293 |

| CRI | CCT | Material | LED Lifetime | Colour | Voltage | Dimming |
|-----|-------------|-----------|---|---------|----------|----------------------|
| >90 | 3000K/4000K | Aluminium | L80(12K) > 66,000 hrs L90 (12K) > 41,500 hrs | BK / WH | 220-240V | Available on request |



Accessories

(available on request)



Honeycomb Louvre

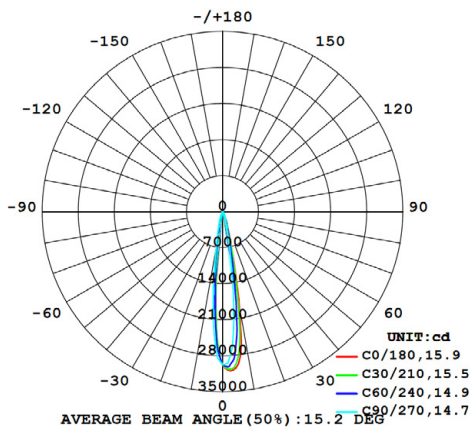


Elliptical Lens

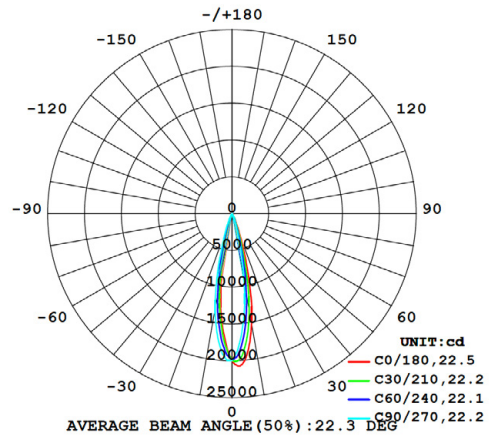
Photometrics

(standard beam angles, alternative available on request)

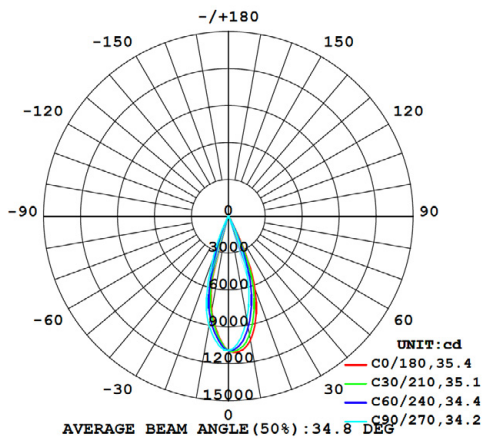
Narrow (15°) at 35W



Narrow (22°) at 35W



Medium (35°) at 35W



Wide (58°) at 35W

