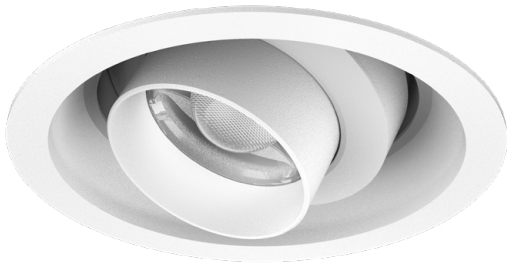


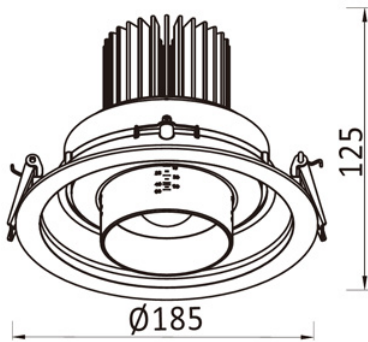


## JUNE II SR-A534



The June II series offers an adjustable lens adapting the beam angle from narrow to wide with one simple twist of the lens. The June II has been redesigned to achieve a more compact design, a smoother transition when adjusting the distance between the lens and the source, and a new lens ensuring uniformity and no excess secondary spotting. Offering such flexibility, this spotlight series with remote driver is suitable for all applications.

The June II is available in track, recessed spot and pendant configuration.



Model	Source Power (W)	System Power (W)	Source Lumen (Lm) (CRI>90, 3000K)	System Lumen (Lm) / Beam Angle (CRI>90, 3000K)	
				Narrow~Wide (17°~64°)	
SR-A534-J	17	19	2269	1583~2015	
SR-A534-K	25	27	3107	2144~2725	

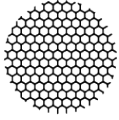
  

CRI	CCT	Material	LED Lifetime	Colour	Voltage	Dimming
>90	3000K/4000K	Aluminium	L80(12K) > 66,000 hrs L90 (12K) > 41,500 hrs	BK / WH	220-240V	Available on request



## Accessories

(available on request)



Honeycomb Louvre

## Photometrics

(standard beam angles, alternative available on request)

