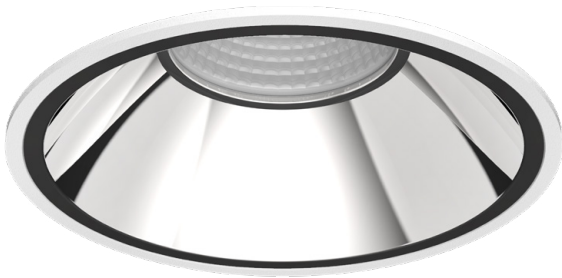




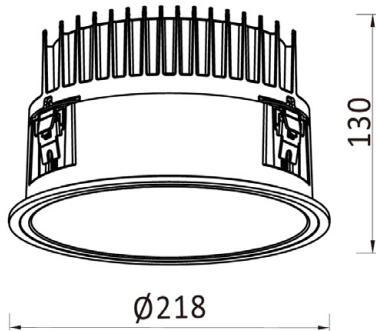
# HEMER DR-A290



The Hemer is a modern and compact downlight ideal for commercial applications. Offering flexibility through its range of sizes and power wattages, the Hemer series is a great choice to ensure your lighting layout will look its best. Available reflector colours are white, black, silver, golden and specular chrome.

Energy efficiency is a key component of our product focus and the Hemer downlight series will ensure significant energy savings over traditional solutions.

The Hemer is also available with a cyanosis COI option ideal for healthcare and medical facilities.



Model	Source Power (W)	System Power (W)	Source Lumen (Lm) (CRI>90, 3000K)	System Lumen (Lm) / Beam Angle (CRI>90, 3000K)			
				Narrow (14°/14°/15°/ 14°/14°/14°)	Narrow (21°/21°/21°/ 22°/22°/22°)	Medium (41°)	Wide (57°/57°/57°/ 57°/58°/58°)
DR-A290	17	19	2269	2046	1999	1943	1979
DR-A290	25	27	3107	2753	2678	2617	2662
DR-A290	32	35	3985	3511	3425	3340	3403
DR-A290	36	39	4454	4056	3943	3853	3922
DR-A290	43	49	5103	4338	4223	4202	3978
DR-A290	50	57	5566	4862	4690	4664	4412

CRI	CCT	Material	LED Lifetime	Colour	Voltage	Dimming
>90	3000K/4000K	Aluminium	L90 (12K) > 41,500 hrs L80(12K) > 66,000 hrs	BK / WH	220-240V	Available on request



## Accessories

(available on request)

Reflectors available in different colours



White      Black      Silver      Golden      Specular Mirror

## Photometrics

(standard beam angles, alternative available on request)

