

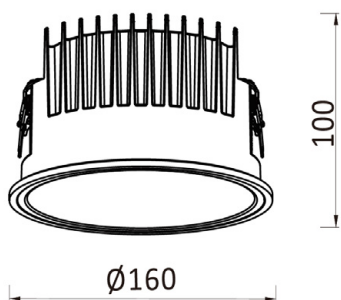


HEMER DR-A289

The Hemer is a modern and compact downlight ideal for commercial applications. Offering flexibility through its range of sizes and power wattages, the Hemer series is a great choice to ensure your lighting layout will look its best. Available reflector colours are white, black, silver, golden and specular chrome.

Energy efficiency is a key component of our product focus and the Hemer downlight series will ensure significant energy savings over traditional solutions.

The Hemer is also available with a cyanosis COI option ideal for healthcare and medical facilities.



Model	Source Power (W)	System Power (W)	Source Lumen (Lm) (CRI>90, 3000K)	System Lumen (Lm) / Beam Angle (CRI>90, 3000K)			
				Narrow (19°/19°/19°/ 20°/18°)	Narrow (22°/22°/22°/ 23°/21°)	Wide (41°/41°/41° 43°/44°)	Wide (57°/57°/57° 56°/59°)
DR-A289	17	19	2269	2031	2070	1997	1893
DR-A289	25	27	3107	2758	2752	2687	2544
DR-A289	32	35	3985	3418	3470	3361	3184
DR-A289	36	39	4454	3992	4063	3934	3730
DR-A289	43	49	5103	4429	4201	4276	4261

CRI	CCT	Material	LED Lifetime	Colour	Voltage	Dimming
>90	3000K/4000K	Aluminium	L90 (12K) > 41,500 hrs L80(12K) > 66,000 hrs	BK / WH	220-240V	Available on request



Accessories

(available on request)

Reflectors available in different colours



White



Black



Silver



Golden



Specular Mirror

Photometrics

(standard beam angles, alternative available on request)

