

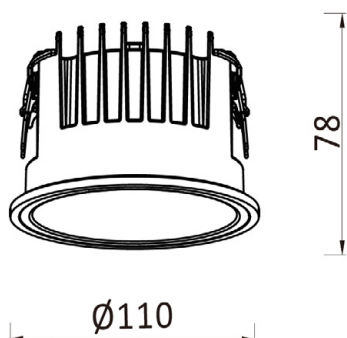
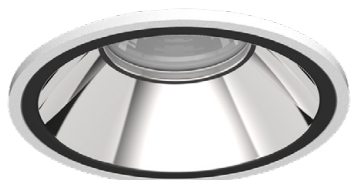


HEMER DR-A288

The Hemer is a modern and compact downlight ideal for commercial applications. Offering flexibility through its range of sizes and power wattages, the Hemer series is a great choice to ensure your lighting layout will look its best. Available reflector colours are white, black, silver, golden and specular chrome.

Energy efficiency is a key component of our product focus and the Hemer downlight series will ensure significant energy savings over traditional solutions.

The Hemer is also available with a cyanosis COI option ideal for healthcare and medical facilities.



Model	Source Power (W)	System Power (W)	Source Lumen (Lm) (CRI>90, 3000K)	System Lumen (Lm) / Beam Angle (CRI>90, 3000K)		
				Narrow (20°/24°/24°)	Medium (33°/35°/35°)	Wide (64°/64°/62°)
DR-A288-H	12	14	1586	1206	1172	1138
DR-A288-J	17	19	2269	1573	1554	1495
DR-A288-K	25	27	3107	2114	2079	2081

CRI	CCT	Material	LED Lifetime	Colour	Voltage	Dimming
>90	3000K/4000K	Aluminium	L80(12K) > 66,000 hrs L90 (12K) > 41,500 hrs	BK / WH	220-240V	Available on request



Accessories

(available on request)

Reflectors available in different colours



White



Black



Silver



Golden

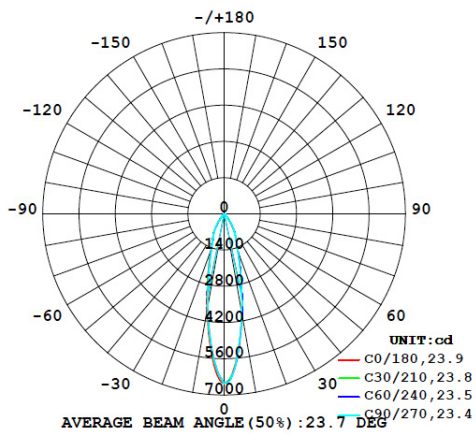


Specular Mirror

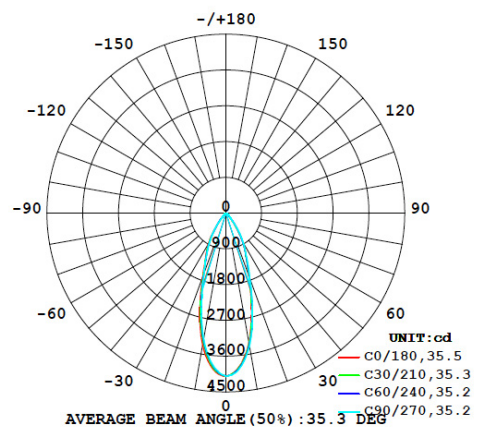
Photometrics

(standard beam angles, alternative available on request)

Narrow (24°) at 27W



Medium (35°) at 27W



Wide (62°) at 27W

