

Merlin Canopy

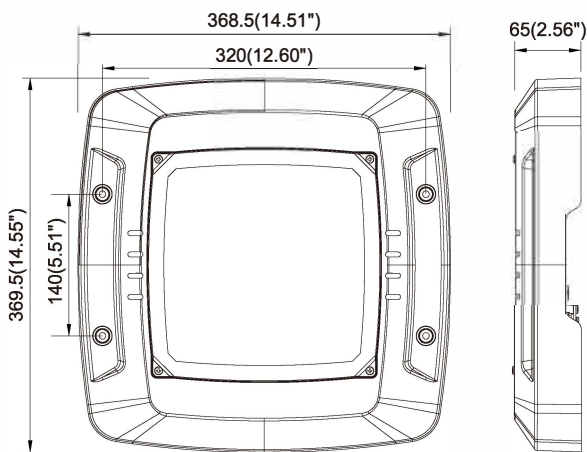
Installation Instructions



Packing List	
	4PCS
	4PCS
	4PCS

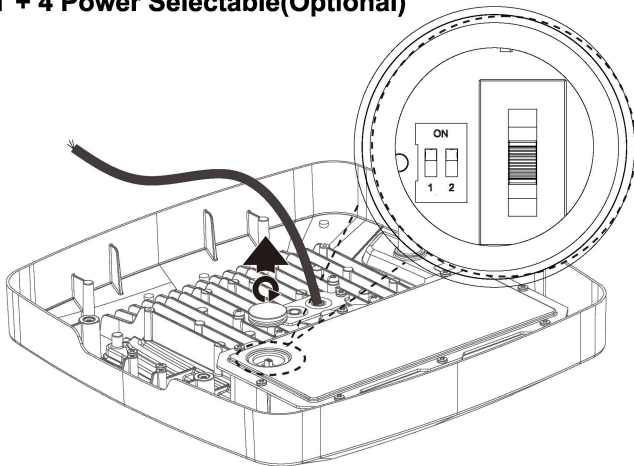


Physical Dimensions(Unit: mm/inch)

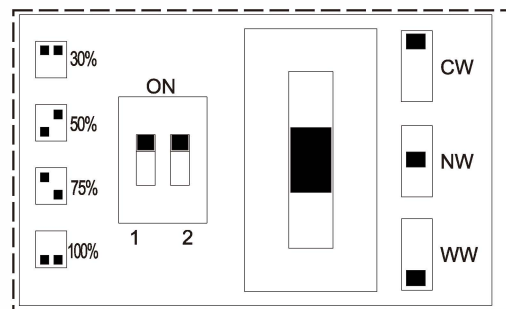


Product Specifications	75W	100W	120W
Input Voltage	120-240VAC / 100-277VAC / 120-277VAC / 100-240VAC / 220-240VAC (Subject to the input voltage on nameplate)		
Power Frequency	50 / 60 Hz		
Outlook Dimensions	369.5x368.5x65mm (14.55"x14.51"x2.56")		
Net Weight	3.9±0.3kg (8.60±0.66Lbs)		
Working Temperature	-30°C to +50°C (-22°F to +122°F)		
Storing Temperature	-40°C to +70°C (-40°F to +158°F)		

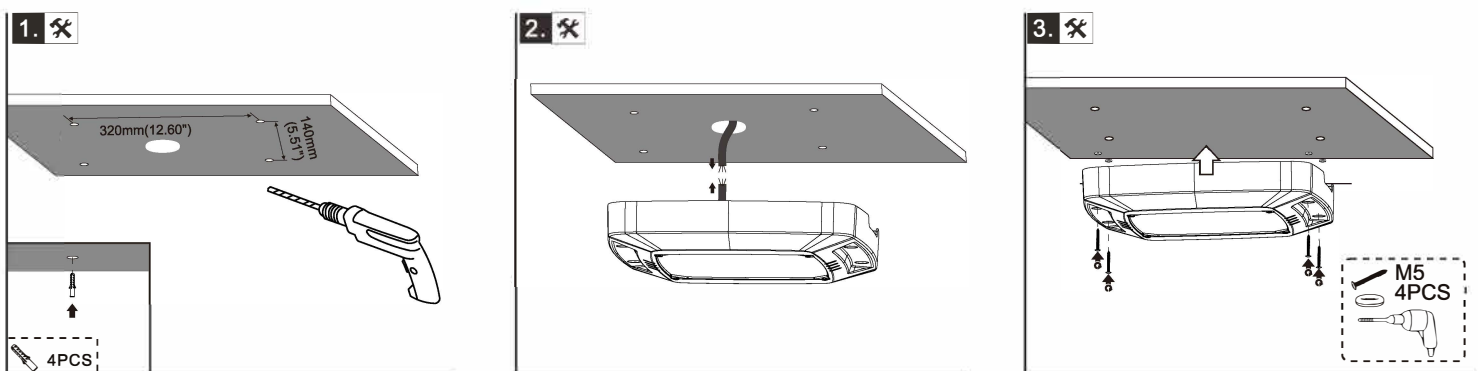
3 CCT + 4 Power Selectable(Optional)



Please select a suitable power and CCT by the DIP switch before installation.



Surface Mount

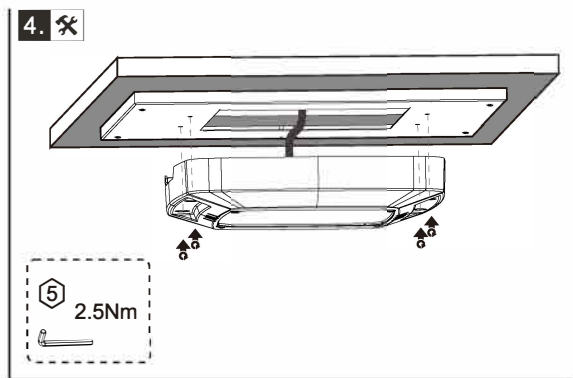
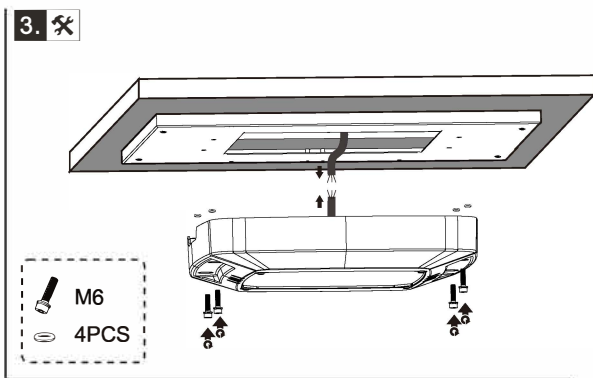
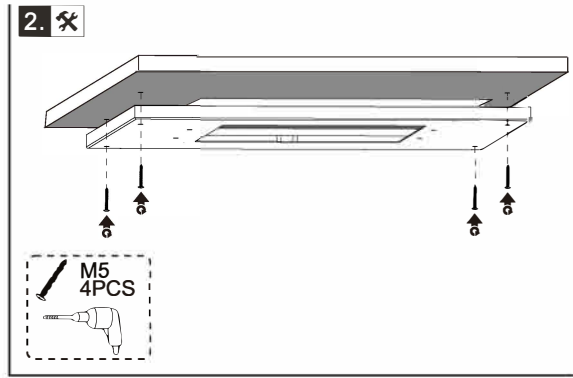
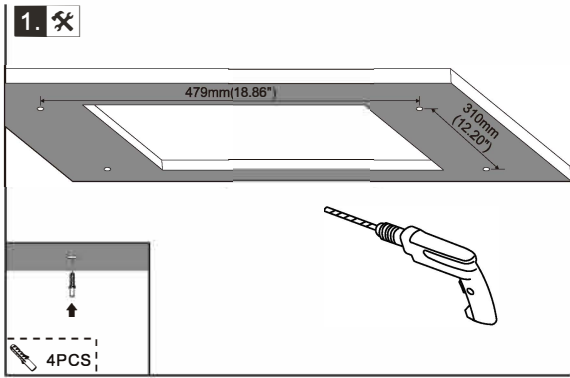


Merlin Canopy

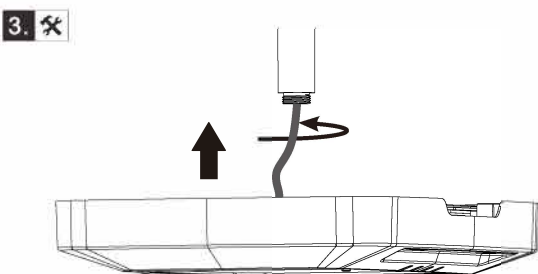
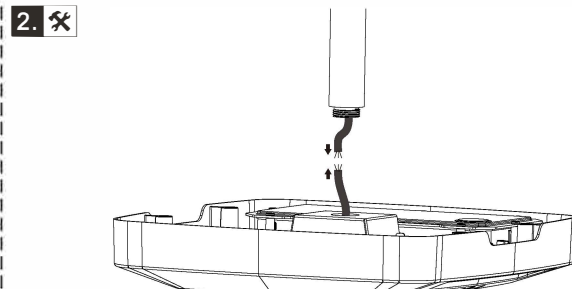
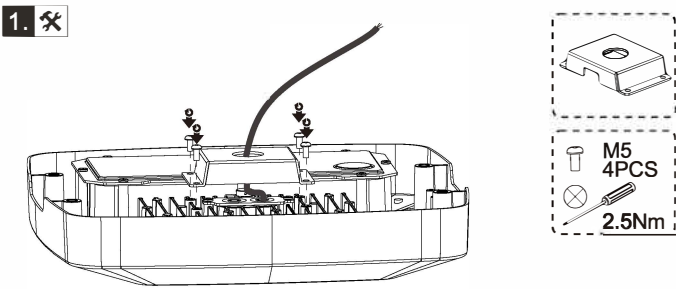
Installation Instructions



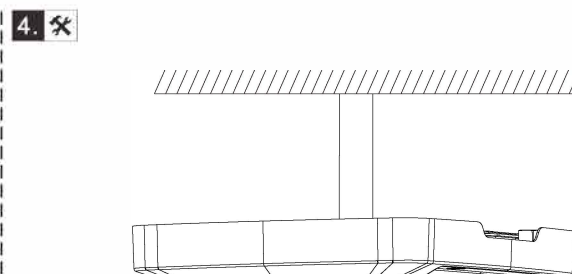
Surface Mount With Adapter Plate



G 3/4 Conduit Mount



USE PLUMBERS TAPE/PUTTY FOR SECURE SEAL, OTHERWISE LUMINAIRE WILL NOT BE WATERTIGHT



Dimmable

<p>⊙ DIM+/DA1 purple or purple or blue or brown or black or red</p> <p>⊙ DIM-/DA2 gray or pink or white or blue or gray or orange</p>	<p>⊙ DIM+/DA1 purple or purple or purple or purple</p> <p>⊙ DIM-/DA2 gray or pink or gray or pink</p> <p>Aux 12Vdc + pink or black/white or black/white or red</p>	<p>⊙ DIM+/DA1 purple or purple or purple</p> <p>⊙ DIM-/DA2 gray or pink or pink</p> <p>Aux 12Vdc + pink or black/white or black/white or orange</p> <p>Aux 12Vdc - black/white or blue/white or orange</p>	<p>⊙ L brown black</p> <p>⊙ N blue white</p> <p>⊙ GND yellow/green green</p> <p>⊙ L brown black</p> <p>⊙ N blue white</p> <p>⊙ GND yellow/green green</p> <p>⊙ DIM+/DA1 black black</p> <p>⊙ DIM-/DA2 gray white</p> <p>⊙ DIM+/DA1 black black</p> <p>⊙ DIM-/DA2 gray white</p> <p>⊙ GND yellow/green green</p> <p>⊙ DIM+/DA1 black brown</p> <p>⊙ DIM-/DA2 gray orange blue</p>
---	--	--	--



Warning! Do not wire dim cord to high voltage, or dim function will fail.

- The light source contained in this luminaire shall only be replaced by the manufacturer or his service agent or a similar qualified person.
- For type Y attachments: if the external flexible cable or cord of this luminaire is damaged, it shall be exclusively replaced by the manufacturer or his service agent or a similar qualified person in order to avoid a hazard.