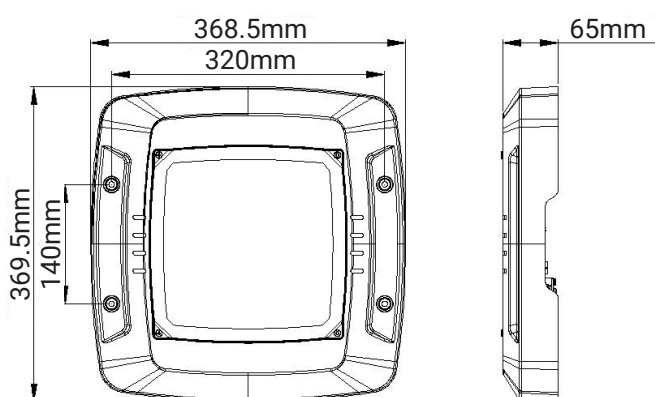




## MERLIN CANOPY (Switchable)

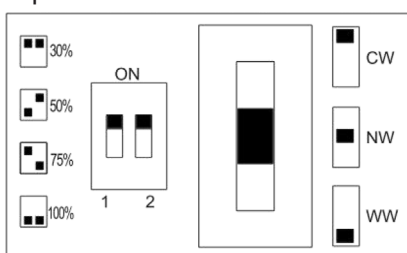
Merlin is an exceptional canopy light combining a stylish design with outstanding functionality. Crafted from a lightweight yet robust aluminium die-casting heat sink, Merlin ensures excellent thermal performance and low maintenance. Merlin features a built-in dip switch offering the convenience of three CCT and four-wattage adjustability to suit a range of applications. When choosing to add a reflector, the luminaire provides soft and uniformed lighting for visual comfort. It offers multiple energy-saving features including a plug-and-play microwave or PIR sensor control on request.



### PRODUCT FEATURES

- Light output, up to 20,308Lm
- Efficacy: Up to 174Lm/W
- LED Life time: 93,000 hours (L80)
- Colour rendering exceeds CRI: >70/>80
- CCT switchable: 3000K-4000K-5000K
- Wattage adjustable (75W-120W)
- Installation: surface mount, G 3/4 conduit mount and mount with adapter plate
- Tempered glass
- Surge Protection: 6kV line-line, 10kV line-earth
- Available colour: white
- Plug-and-play microwave or PIR sensor on request
- Dimming: non-dim, 0-10V, dali on request
- Five Year Warranty

### Dip Switch



Model	Delivered Lumen	System Power	CCT Switchable	Beam Angle
SM-MER-DIP75	11413Lm /13013Lm/12497Lm	75W	3000K - 4000K - 5000K	115°/116°/117°
SM-MER-DIP100	14849Lm/17202Lm/16043Lm	100W	3000K - 4000K - 5000K	115°/116°/116°
SM-MER-DIP120	17526Lm/20308Lm/19034Lm	120W	3000K - 4000K - 5000K	115°/115°/116°

CRI	Material	Voltage	Colour	Dimming
>70/>80	Aluminium	220-240V	White	Non-Dim / 0-10V / DALI

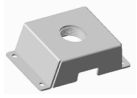
\* Lumen values changed based on the CCT selected.

For office locations visit [www.lpalighting.com](http://www.lpalighting.com)

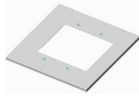


## Accessories

(available on request)



G 3/4 adapter plate



Ceiling mount adaptor



PIR sensor



Microwave motion sensor

## Photometrics

(standard beam angles, alternative available on request)

