



SLIM STREETLIGHT ST7-30

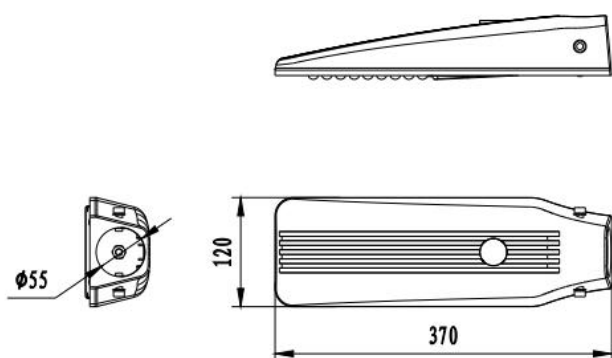
Our Slim streetlights are ideal for areas where light spill must be closely contained. Dedicated design for narrow road, alleys and public places or a similar application where a precise level of light is required. LPA Slim floodlights are designed for post top mount and are manufactured from powder coated die-cast aluminium with an ingress protection rating of IP65.

Applications: parks, gardens, courtyards, residential streets, rural roads.



PRODUCT FEATURES

- Light output, up to 3,700Lm
- Efficacy: Up to 124Lm/W
- Ideal for industrial and commercial applications
- Life time 50,000 hours (L70)
- Colour rendering exceeds CRI:80
- Beam Angle: 80x150°
- Protection rating IP65
- Savings up to 50% compared to Metal Halide
- Optional Opal lens
- Optional Prismatic lens
- Multiple installations
- Available in black and silver
- Dimming options on request
- Flex and plug or direct connection
- Five Year Warranty

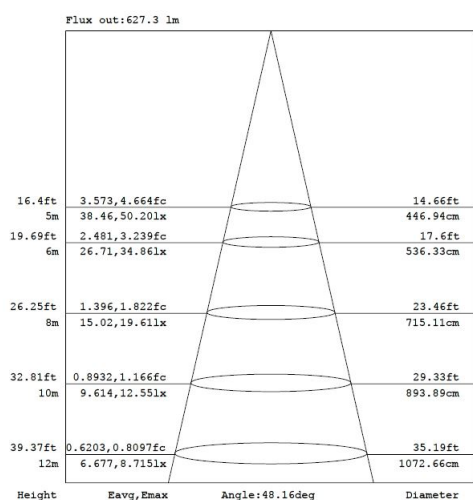
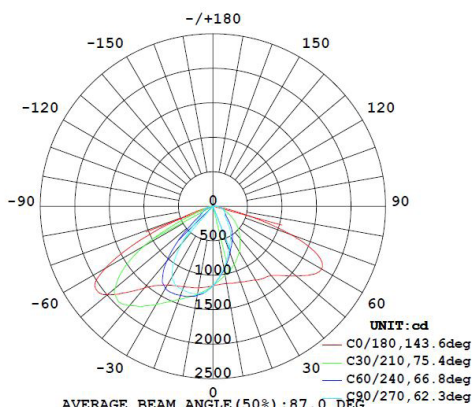


Model	Delivered Lumens	System Power	CCT	Beam Angle
LPA-ST-ST7-305K	3733Lm	30W	3000K/4000K/5000K	80x150°
CRI	Material	Voltage	Colour	Dimming Options
>80	Aluminium	220-240V	BK / SIL	Remote Dali

Alternative colour temperatures available on request.



SLIM STREETLIGHT ST7-30



Alternative beam angles available on request.

Physical

Height:	70mm
Diameter:	370mm
Weight:	1.75kg

Control and Programming

Dimming:	Remote Dali
----------	-------------

Construction

Fixture:	Aluminium
Fixture colour:	BK / SIL
Lens:	
Impact rating:	
Protection rating:	IP65

Connection

Power connection:	Direct Connection
-------------------	-------------------

Output

Luminous Flux:	3700Lm
Efficacy:	123Lm/W
Beam Angle:	80x150°
CCT:	3000K/4000K/5000K
CRI:	>80
Quantity of Light source:	
Lifetime:	50,000 hours at 70% lumen

Electrical

Input Voltage:	220-240VAC
LED Power:	26W
Driver Losses:	5W
Total Power:	30W
Power Factor:	>0.95
Total Harmonic Distortion:	<10%

Thermal

Cooling:	
Operating Range Tc:	-20°C+50°C
Humidity (non-condensing):	15-90%
Run Temperature Teq:	

Certificates

EMC:	CISPR 15:2011 EN 55015: 2013+A1: 2015 EN 61000-3-2: 2014; EN 61000-3-3: 2013; EN 61547: 2009
Electrical Safety:	AS/NZS 60598.1:2013 AS/NZS 60598.2.1:2014 EN 60598-1:2008+A11:2009; EN 60598-2-3:2003+A1:2011 EN 62493:2010; EN 62471:2008

For office locations visit www.lpalighting.com