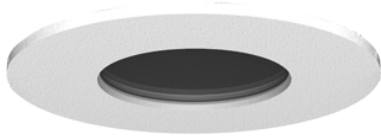




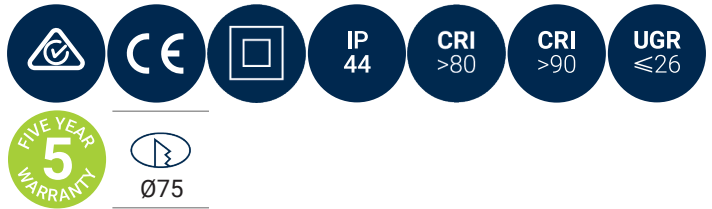
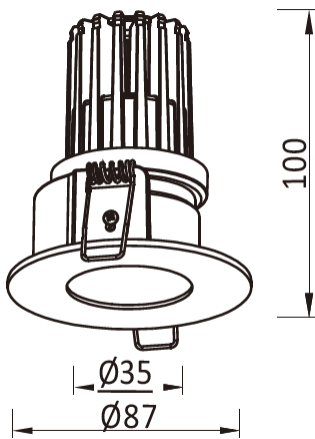
SMITH DR-A466 (Frosted Glass)

Smith is a low glare compact luminaire for lower level and more precise accenting. Available as a fixed downlight with a selection of beam settings they are perfect for highlighting key elements of your design. This model is IP44 front facing.



Energy efficiency is a key component of our product focus and Smith will ensure significant energy savings over traditional solutions. Phase dimmable with 0-10V and DALI available upon request.

Available in fixed and adjustable with warm dimming and shape adjusting optical accessories.

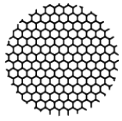


Model	Source Power (W)	System Power (W)	Source Lumen (Lm) (CRI>80, 3000K)	System Lumen (Lm) / Beam Angle (CRI>80, 3000K)					
				Narrow (16°)	Narrow (22°)	Medium (30°/29°)	Medium (34°/33°)	Medium (38°)	Wide (45°)
DR-A466-A	7	9	745	255	462	487	335	-	-
DR-A466-B	12	14	1660	-	-	409	704	761	492

CRI	CCT	Material	LED Lifetime	Colour	Voltage	Dimming
>80/>90	3000K/4000K	Aluminium	L80B50 (14K) 56,000 hrs	BK / WH	220-240V	Available on request



Accessories



Honeycomb Lens



Anti-glare

Photometrics

(standard beam angles, alternative available on request)

