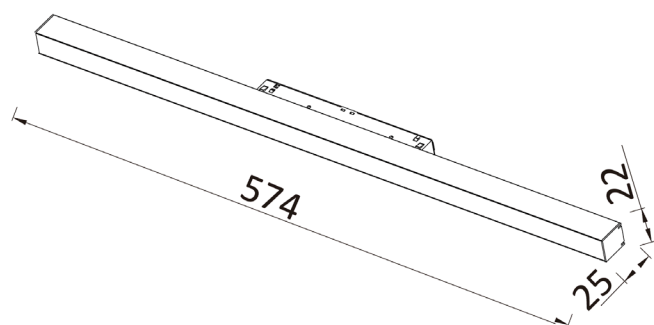
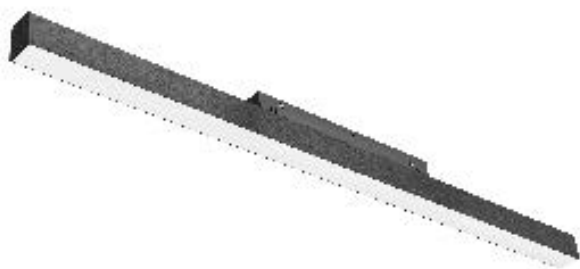




ISSE II SS-A161 (48V Magnetic System)

The Isse II series is a sleek and sophisticated luminaire designed for a 48V low voltage system. Its track adapter with magnetic click-fit construction allows easy installation and maintenance with no tools required. With adaptability and versatility in mind, the Isse II series is perfect for architectural and contemporary illuminations.

Available in recessed, surface mount and pendant formats, the Isse II series delivers flexibility and a seamless look to meet the demands of any design application.



Model	Source Power (W)	System Power (W)	Source Lumen (Lm) (CRI>80, 3000K)	System Lumen (Lm) / Beam Angle (CRI>80, 3000K)	
				Very Wide (113°)	
SS-A161-J	11	13	1946	1030	

CRI	CCT	Material	LED Lifetime	Colour	Voltage	Dimming
>80/>90	3000K/4000K	Aluminium	50,000 hrs (L70)	BK / WH	48V DC	DALI / 1-10V / Non-Dim



Photometrics

(standard beam angles, alternative available on request)

