

Important Safety Information

Please read these instructions before installation or maintenance. Failure to follow these instructions can result in serious injury, electric shock, or product damage.

- Electrical installation or maintenance must be conducted by a licensed electrician.
- The luminaire must be installed in accordance to the wiring standards and regulations.
- This product contains no user serviceable parts and no attempt should be made to repair this product.
- If the external flexible cable or cord of this luminaire is damaged, it shall be exclusively replaced by the manufacturer or their service agent or a similar qualified person in order to avoid a hazard.
- This product is compatible with 220-240V 50Hz rated voltage and frequency.

Warranty will be void if there is any damage due to improper usage or modification to the product.

Do not dispose product with normal household waste. Where no recycle facilities exist, contact manufacturer or local authority for suitable options.

Warning - Applicable to New Zealand (Only)

This luminaire is not suitable for installation in locations where thermal insulation is present, or may reasonably be expected to be installed in the future, or where there is a likelihood of other combustible material, e.g. Leaves or vermin debris, etc. collecting on or around the luminaire. It is not suitable for domestic installations or installation in residential areas of non-domestic installations (residential institutions, hotels, boarding houses, hospitals, accommodation houses, motels, hostels and the like).

Product Specification

Product Family:	CLEANROOM
Type of protection:	Class I
IP rating:	IP65
Nominal voltage:	220 - 240 V
Nominal frequency:	50/60Hz
Power factor:	> 0.9
Operating ambient temperature:	0°C to + 25°C
Dimensions:	1220x340x90 mm
Cut - out:	1190x320 mm

For indoor use only.

Installation Instructions

1: Plaster Ceiling(Typical)

1. To release the frame, start from one corner the suction cup, see image below. Frame will still remain attached to base by interior torsion springs



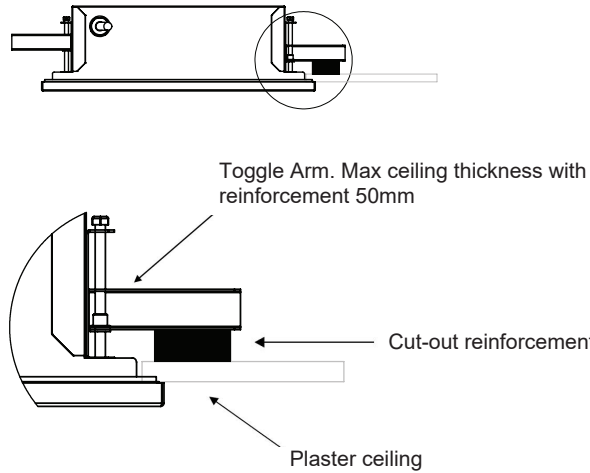
2. Disconnect lanyards to release the frame from base.
3. Ensure toggle arms are turned in and run flush against body of fitting so it will enter ceiling cut out. Using the screwdriver, turn screw anticlockwise to ensure toggle recess arms are set to maximum travel to allow a maximum ceiling thickness of 50mm. See images next page.

Important: Ensure the ceiling has been reinforced around the cut out. Reinforcement to be fixed to the ceiling. To be supplied by contractor.

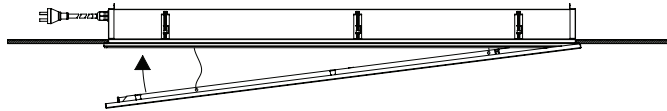
Installation Instructions



1: Plaster Ceiling (continued)



4. Use a screwdriver in a clockwise direction to tension up toggle recess arms against inside of ceiling. Perform this on all screws to secure fitting to ceiling.
5. Reattach all lanyards to frame, including earthing lanyard. Reattach frame assembly to main body starting at one end and then slowly pushing up other end until magnets pull the frame shut.



Installation Instructions



2: Surface Mounted

1. Install surface mounted frame accessory.
2. To release the frame, start from one corner the suction cup. Frame will still remain attached to base by interior torsion springs.
3. Slide hand between frame and base into fitting to release torsion springs from the base. 4 x torsion springs require squeezing inward on base end of the spring to release frame from base.
4. Lift the luminaire up to the surface frame, ensure toggle arms are turned in and run flush against body of fitting. Insert the luminaire into the frame, cable entry end first, the straighten and push fitting up against the surface mount frame.
5. Using a screwdriver in a clockwise direction to tension up toggle recess arms against inside of ceiling. Perform this on all screws to secure fitting to ceiling.
6. Once all the torsion springs are reattached, press the frame firmly against the body. This will fully engage the torsion springs and will result in a tight seal.