

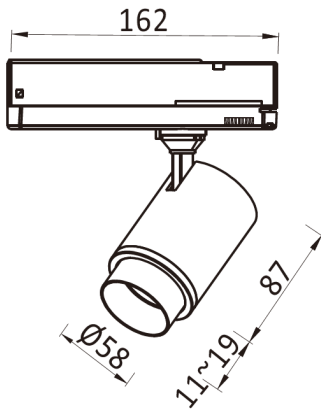


JUNE II ST-A584

The June II series offers an adjustable lens adapting the beam angle from narrow to wide with one simple twist of the lens. The June II has been redesigned to achieve a more compact design, a smoother transition when adjusting the distance between the lens and the source, and a new lens ensuring uniformity and no excess secondary spotting. Offering such flexibility, this spotlight series with in-track driver is suitable for all applications.

All our fixtures fit standard three circuit track and adjust easily through 90° in the vertical plane and 355° in the horizontal plane. Options include the choice of CCT colour, body colour and lens.

The June II is available in track, recessed spot and pendant configuration.



Model	Source Power (W)	System Power (W)	Source Lumen (Lm) (CRI>80, 3000K)	System Lumen (Lm) / Beam Angle (CRI>80, 3000K)	
				Narrow~Wide (10°-24°)~(45°-90°)	
ST-A584-A	7.5	9	830	632~663	
ST-A584-B	12	15	1300	922~965	

CRI	CCT	Material	LED Lifetime	Colour	Voltage	Dimming
>80/>90	3000K/4000K	Aluminium	50,000 hrs (L70)	BK / WH	230V 50Hz	Available on request



Photometrics

(standard beam angles, alternative available on request)

