

Warranty



Our goods come with guarantees that cannot be excluded under the Australian Consumer Law. You are entitled to a replacement or refund for a major failure and compensation for any other reasonably foreseeable loss or damage. You are also entitled to have the goods repaired or replaced if the goods fail to be of acceptable quality and the failure does not amount to a major failure.

In accordance with LPA's standard Terms and Conditions of sale, LPA warrants for repair or replacement this product against manufacturing and material defects for a period of 10 years (5 Years where the product is installed and operated at ambient temperatures above 50°C and less than 60°C) subject to the product being correctly installed by a licensed electrical contractor (where required by law) without modification and operated in accordance with the intended purpose, operating environment and specified voltage range. Warranty is based on an operating life-cycle of 4000hrs per year and is in addition to all rights and remedies that the customer has under Australian Consumer Law.

This warranty does not cover:

- General wear and tear.
- Costs of removal and return to LPA or service agent for repair/replacement.
- Any type of consequential loss or damage to the product caused by negligence, misuse, improper installation, storage or maintenance and vandalism.
- Failures due to exposure to extreme conditions i.e.: thunder, lightning, water ingress, fire, bad ventilation or other conditions beyond the control of LPA.
- Failures due to compatibility issues between the products and the installation environment i.e.: control systems, harmonic oscillation and power supply
- Products that have been modified or repaired by unauthorised personnel
- Change, discoloration or embrittlement of product materials due to natural aging.
- Faults in or damages to integral parts or consumables used in the product which must be regularly replaced as a matter of principle, e.g., LED COB, LED drivers, batteries, accumulators, emergency lighting modules, mechanical wear and tear, etc.;

Other than the obligation to repair or replace as provided above, LPA shall have no liability for any losses, expenses or damages because of the installation, use, inability to use, removal or replacement of any LPA product. LPA will not under any circumstances whether because of breach of contract, breach of warranty, tort, strict liability or otherwise be liable for consequential, incidental, including but not limited to, loss of profits or revenues, loss of any other goods or associated equipment or damage to any associated equipment, cost of capital, cost of substitute products, facilities or services, down time cost or claims of claimant's customers.

To make a warranty claim, the claiming party must notify LPA in writing, via email or via the form located on

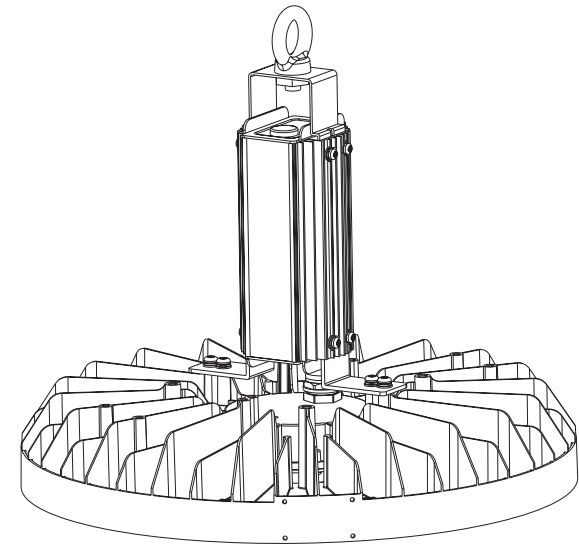
e-mail: warrantyaus@lpalighting.com

web: www.lpalighting.com

Contact:
Att: Warranty Returns
LPA
16a Palmer Parade,
Victoria, Australia 3121



INSTALLATION INSTRUCTIONS



ALTITUDE-PRO Highbay Series

100W, 150W, 200W

Warnings & Cautions

NOTE: IN THE INTERESTS OF SAFETY, PLEASE READ THESE INSTRUCTIONS BEFORE INSTALLATION AND USE.

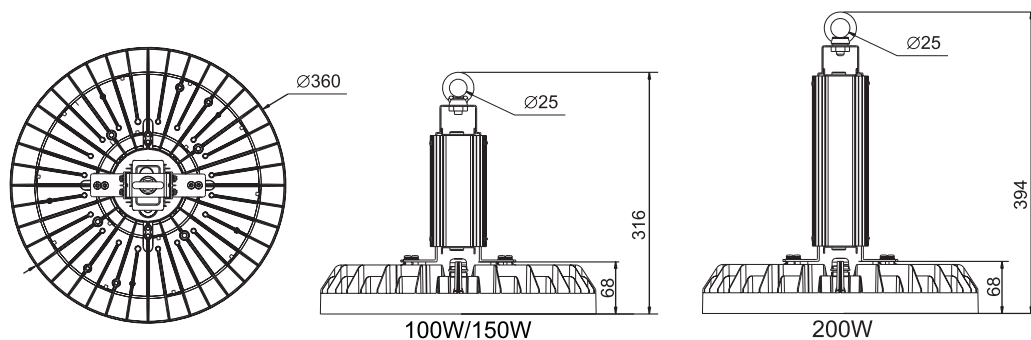
WARNINGS:

ALL ELECTRICAL INSTALLATION WORK MUST BE CONDUCTED BY A LICENSED ELECTRICAL CONTRACTOR ACCORDING TO THE RELEVANT AUSTRALIAN STANDARD. DISCONNECT POWER BEFORE INSTALLATION OR SERVICING. NO USER SERVICEABLE PARTS

RISK OF BURN INJURY - During and after operating unit may be hot, always ensure that unit has been allowed to cool prior to touching or moving.

- No user serviceable parts inside - risk of electrical shock.
- Failure to follow these instructions can result in serious injury, electric shock or death.
- Always isolate the mains supply prior to conducting any electrical work.
- Disconnect the power supply when conducting any maintenance or cleaning.
- Always take care when installing at height.

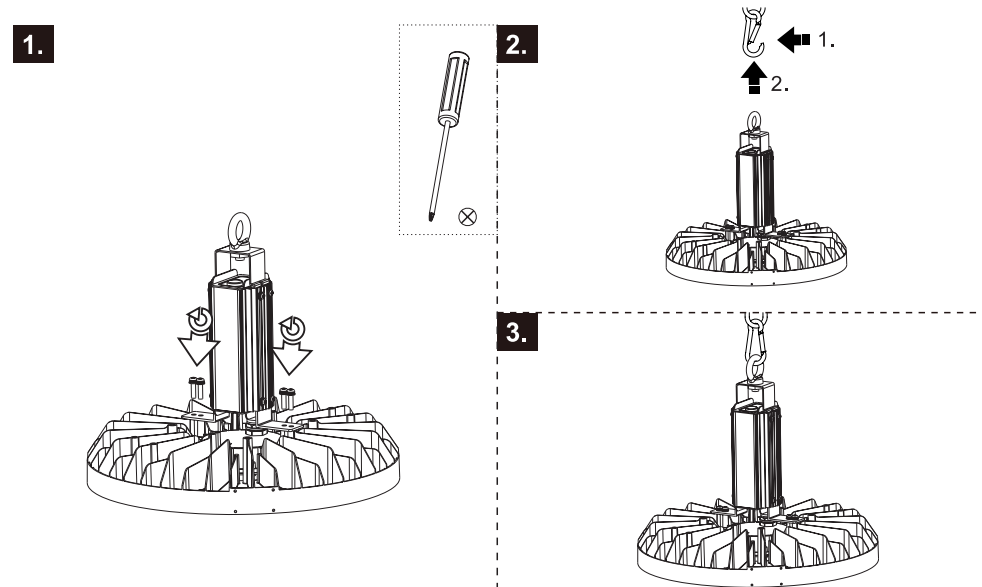
Specifications



Wattage: 100W, 150W & 200W
 Efficacy: 150lm/W
 CCT: 5000K
 Beam Angle: 120°
 CRI: >70
 Driver: Phillips Xitanium
 LED: Lumileds
 Voltage: 100-240V 50Hz
 Power Factor: >0.92
 IP Rating: IP65
 IK Rating: IK08

Operating Temperature:
 -30°C to + 50°C 10 Year Warranty
 -30°C to + 60°C 5 Year Warranty
 Net Weight: 3.7Kg (100/150W), 4.1Kg (200W)
 Dimming: Not available

Installation Instructions



CAUTION: When installing at height, ensure to follow all required safe installation practices. Prior to installation ensure that the power is disconnected at the mains to prevent shock or injury.

1. Unpack LED Highbay and discard packaging thoughtfully.
2. Assemble highbay by attaching driver to heatsink using 4pcs screws provided - as per Fig. 1 above.
3. Select installation location.
4. Attach mounting hook, chain or mounting kit (not included) to mounting location, ensure that mount or chain is of adequate weight rating to support highbay.
5. Ensure that Stainless Steel mounting ring provided is securely screwed into the threaded socket on the top of the LED Highbay. Tighten using a tool.
6. Mount highbay using a weight rated spring-lock clip as per Fig. 2 - 3 above. Ensure that spring-lock clip is fully closed.
7. Connect the highbay input cable to pre-wired socket outlet. Ensure that any loose or excess mains cable is secured by cable tie and cannot hang down loose across the body of the highbay fitting.

NOTE: Ensure that highbay is installed in a position with adequate ventilation and away from dust build-up. If dust is present, a regular maintenance routine should be implemented to prevent overheating.