

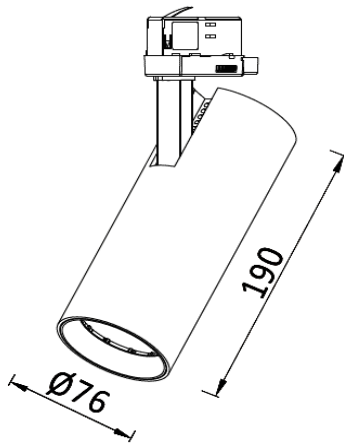


CARL ST-A092

The Carl series offers a sleek range of LED track lights ideal for retail, hospitality and general display applications. Carl offers a versatile range of light head designs, illumination levels and beam angles. With our market leading colour rendering and easy adjustability we confidently recommend Carl as an ideal luminaire to bring out the best in your design.

All fixtures fit a standard three circuit track and adjust through 90° vertical plane and 355° horizontal plane. Options include CCT colour, onboard or on-track driver, glass and honeycomb diffusers, and barn door cut off control.

Also available in surface mount and suspended format.



PRODUCT FEATURES

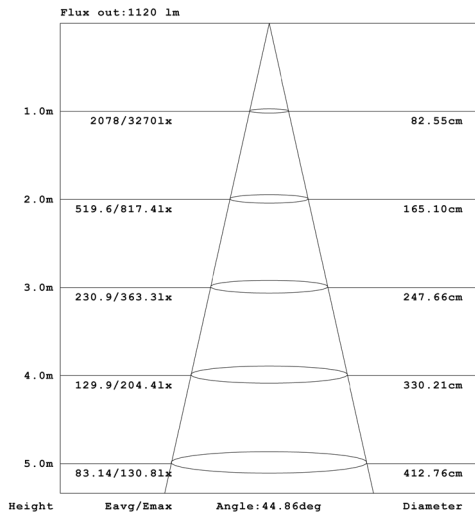
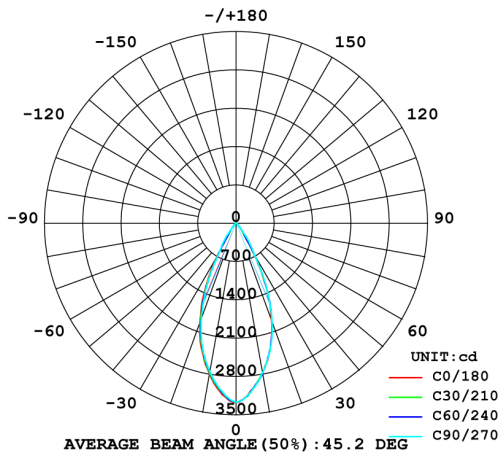
- Light output, up to 1,900Lm
- Efficacy (up to 80Lm/W) delivering superior energy efficiency
- Ideal for all commercial applications
- Life time 50,000 hours at 70% lumen maintenance
- Colour rendering exceeds CRI:90
- Beam Angle: 26° / 36° / 45°
- CCT options 3000K/4000K/5000K
- Glass and honeycomb louvre optional
- Available in Track, Suspended and Surface
- Available colours black, white and silver
- Dimming options on request
- Direct connection
- Five Year Warranty



Dimensions Ø76x190mm

Model	Source	Lumen Output	System Power	CCT	Beam Angle
LPA-ST-A092-204K	CREE	1600Lm	20W	4000K	26° / 36° / 45°
LPA-ST-A092-244K	CREE	1900Lm	24W	4000K	26° / 36° / 45°
CRI	Driver	Material	Voltage	Colour	Dimming
>90	PHILIPS	Aluminium	110v-277v	BK / WH / SIL	Available on request

Alternative colour temperatures available on request.



Enquire for availability of optional beam angles.

CARL ST-A092

Physical

Height:	190mm
Diameter:	76mm
Weight:	0.765kg

Control and Programming

Dimming:	Available on request
----------	----------------------

Construction

Fixture:	Aluminium
Fixture colour:	BK / WH / SIL
Lens:	
Impact rating:	IK07
Protection rating:	IP20

Connection

Power connection:	Direct
-------------------	--------

Output

Luminous Flux:	1600Lm / 1900Lm
Efficacy:	80Lm/w / 79Lm/w
Beam Angle:	26° / 36°/45°
CCT:	4000K
CRI:	>90
Quantity of Light source:	1
Lifetime:	50,000 hours at 70% lumen

Electrical

Input Voltage:	110v-277v
LED Power:	18W / 21W
Driver Losses:	2W / 3W
Total Power:	20W / 24W
Power Factor:	0.92
Total Harmonic Distortion:	≤15%

Thermal

Cooling:	Conduction
Operating Range Tc:	-20...+50
Humidity (non-condensing):	10-90%
Run Temperature Teq:	<70°C

Certificates

EMC:	CISPR 15:2011 EN55015:2013 EN61547:2009 EN61000-3-2:2014 EN61000-3-3:2013
Electrical Safety:	AS/NZS 60598.1:2013 AS/NZS 60598.2.1:2014 EN60598-2-2:2012 EN60598-1:2015