

DELNE BT-TB2-50

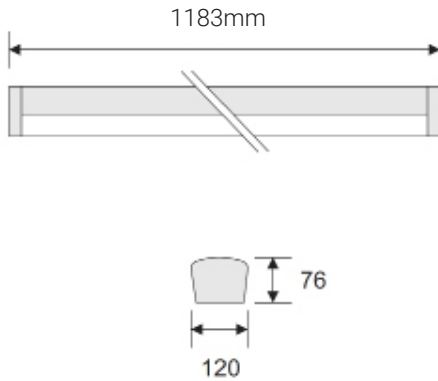
Batten fixtures have always been the workhorses of general illumination and our LED indoor battens are the perfect alternative to fluorescent lighting. They provide reliable, superior, flicker free and maintenance free illumination for a fraction of the energy use and are ideal for many indoor and weather protected surface mount applications. Our promise is many years of maintenance free dependable operation.

LPA indoor battens are available in 600mm and 1200mm configurations with up to 5,500 lumen output.

Applications: Offices, classrooms, service areas, access areas, workrooms, workshops, storerooms, loading bays and private parking areas (weather protected).

PRODUCT FEATURES

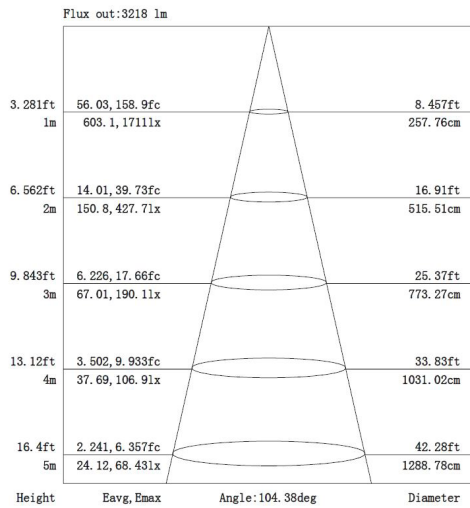
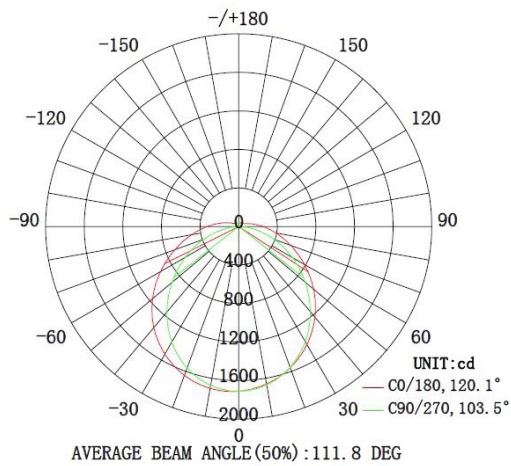
- Light output, up to 5,500Lm.
- Efficacy (up to 110Lm/W) delivering superior energy efficiency
- Ideal for all indoor industrial applications
- Life time 50,000 hours (L70)
- Colour rendering exceeds CRI:80
- Beam Angle: 120°
- CCT options 4000K/6000K
- Protection rating IP40
- IK05 minimum impact resistance
- 600mm and 1200mm configurations
- Dimming options on request
- Large terminals for easy direct connection
- Five Year Warranty



Dimensions 1183x120x76mm

Model	Source	Lumen Output	System Power	CCT	Beam Angle
LPA-BT-TB2-504K	LG	5500Lm	50W	4000K	120°
LPA-BT-TB2-506K	LG	5500Lm	50W	6000K	120°
CRI	Driver	Material	Voltage	Colour	Dimming
>80	OSRAM	Sheet Steel	220-240VAC	WH	DALI dimmable option

Alternative colour temperatures available on request.



Enquire for availability of optional beam angles.

DELNE BT-TB2-50

Physical

Height:	76mm
Diameter:	1183mm
Weight:	2.30Kg

Control and Programming

Dimming:	DALI dimmable option
----------	----------------------

Construction

Fixture:	Sheet Steel
Fixture colour:	WH
Lens:	
Impact rating:	IK05
Protection rating:	IP40

Connection

Power connection:	Flex and plug
-------------------	---------------

Output

Luminous Flux:	5500Lm
Efficacy:	110Lm/W
Beam Angle:	120°
CCT:	4000K/6000K
CRI:	>80
Quantity of Light source:	128
Lifetime:	50,000 hours at 70% lumen

Electrical

Input Voltage:	220-240VAC
LED Power:	43.50W
Driver Losses:	<13%
Total Power:	50W
Power Factor:	>0.9
Total Harmonic Distortion:	<10%

Thermal

Cooling:	
Operating Range Tc:	-10°C – 40°C
Humidity (non-condensing):	
Run Temperature Teq:	

Certificates

EMC:	CISPR 15:2011
Electrical Safety:	AS/NZS 60598.1:2013, AS/NZS 60598.2.1:2014